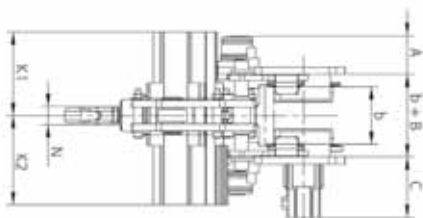
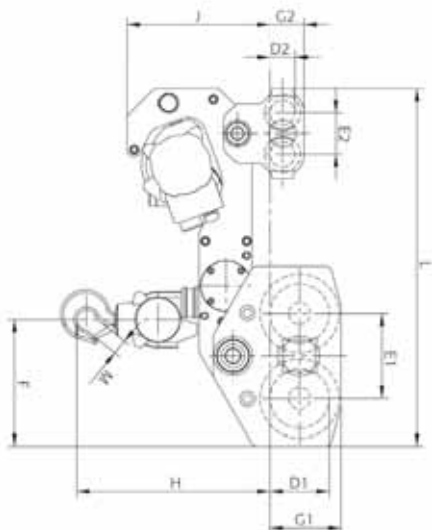


# JDN Low Headroom Trolleys

Where headroom is restricted and standard trolleys are unable to meet the lifting height requirements, we recommend Low Headroom trolleys. JDN Air Hoists can be horizontally mounted.

## Features

- State of the art design utilising JDN's new PROFITi motor technology.
- Small number of maintenance/wear free moving parts.
- No additional motor lubrication required.
- 2-step travelling speed.
- Adjustable trolley widths to suit your requirements.
- Able to negotiate curves.
- Extended trolley tie bars for bulky elongated loads.



[www.pacifichoists.com.au](http://www.pacifichoists.com.au)

TYPE	A	B	C	D1	D2	E1	E2	F	G1	G2	H	J	K1	K2	L	M	N	T
PROFI 05 TI LMF 05 2T	105	36	164	70	70	116	116	712	95	95	320	320	145	152	715	28	42	25
PROFI 1 TI LMF 05 2T	105	36	164	70	70	116	116	172	95	95	320	320	145	152	715	28	42	25
PROFI 2 TI LMF 05 2T	105	36	164	70	70	116	116	195	95	95	394	320	145	152	715	28	42	25
PROFI 3 TI LMF 3 2T	105	36	164	70	70	116	116	228	95	95	415	397	233	248	825	30	42	35
PROFI 6 TI LMF 6 3T	106	70	169	165	70	236	116	351	197	95	537	397	233	248	995	40	51	35

## Specifications

Hoist Type Trolley Type		PROFI 05 TI LMF 05-2 t	PROFI 1 TI LMF 05-2 t	PROFI 2 TI LMF 05-2t	PROFI 3 TI LMF 3.2t	PROFI 6 TI lmf 6.3t
Rated capacity	tonne	0.5	1	2	3.2	6.3
No. chain strands		1	1	2	1	2
Motor output hoist	kW	1	1	1	3.5	3.5
Motor output trolley	kW	0.2	0.2	0.2	0.2	0.2
Air pressure	bar	6	6	6	6	6
Lifting speed full load	m/min	10	5	2.5	4.5	2.2
Lowering speed full load	m/min	17	11	5.5	10.8	5.4
Travelling speed full load	m/min	9/14	11	5.5	10.8	5.4
Air consumption full load	m <sup>3</sup> /min	1.2	1.2	1.2	4	4
Air connection		G1/2	G1/2	G1/2	G3/4	G3/4
Hose Dimension	mm	13	13	13	19	19
Weight with standard lift height	kg	98	99	105	210	330
Chain Dimension	mm	7x21	7x21	7x21	13x36	13x36
Weight of chain	kg/m	1	1	1	3.8	3.8
Standard Lift	m	3	3	3	3	3
Max bottom flange thickness	mm	25	25	25	35	35
Max bottom flange width	mm	310	310	310	310	310
Min bottom flange width	mm	80	80	80	125	125
Noise level full load lifting	db	75	76	76	78	78
Noise Level full load lowering (	db	78	78	78	80	80

Your nearest distributor;

The information contained in this flyer is to be used as a guide only, specifications subject to change without notice.  
All Materials Handling/Lifting jobs should be assessed individually. Pacific Hoists products are NOT to be used for lifting or lowering person/s.

PACIFIC HOISTS PTY LTD

[www.pacifichoists.com.au](http://www.pacifichoists.com.au)



Head Office  
24 Foundry Road  
Seven Hills NSW 2147  
Tel: +61 2 8825 6900  
Fax: +61 2 8825 6999  
Email: [sales@pacifichoists.com.au](mailto:sales@pacifichoists.com.au)

Western Australia  
3/39 Tullock Way  
Canning Vale WA 6155  
Tel: +61 8 9456 4140  
Fax: +61 8 9456 4142  
Email: [sales@pacifichoists.com.au](mailto:sales@pacifichoists.com.au)

New Zealand  
11 Druces Road  
Manukau City South Auckland  
New Zealand  
Tel: +64 9 263 5566  
Fax: +64 9 263 5567  
Email: [info@pacifichoists.co.nz](mailto:info@pacifichoists.co.nz)

