

PACIFIC Hydraulic Recovery Winch

Designed for HEAVY DUTY applications on tilt-tray tow trucks, 4WD, tractors, and fire/rescue vehicles, the Hydraulic Recovery Winch is highly efficient with many features including it's ability to run continuously in all conditions.

Features

- Fast and variable recovery speeds for high work rate
- Highly efficient and constant operating high torque motor
- 2 stage planetary gear train for greater pulling force
- Free spool T-handle with easy operation for rapid wire rope payout
- Drag brake and over-centre valve providing full 100% braking



HV-8



HV-10



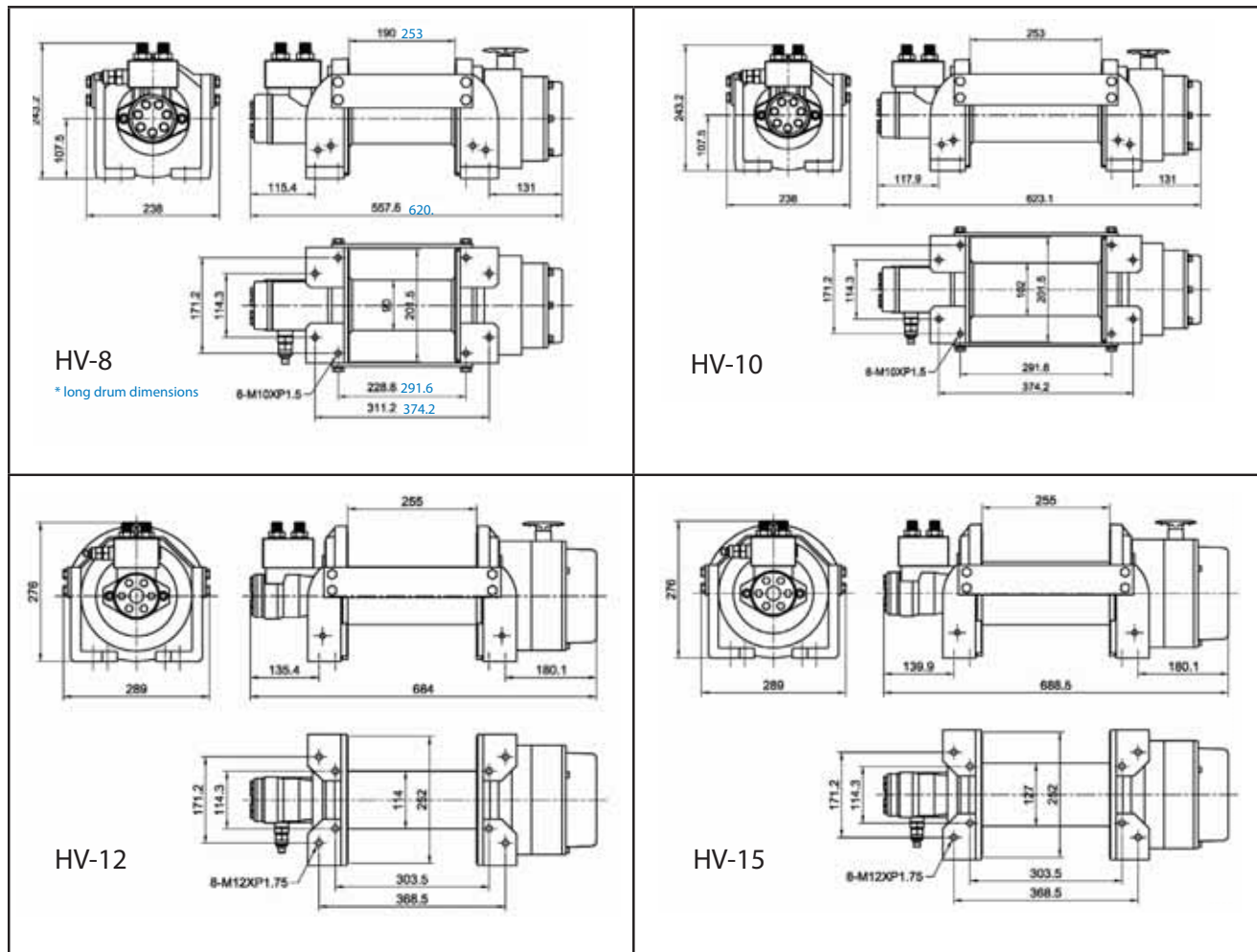
HV-12



HV-15



Dimensions



Specifications

Model	Line Pull	Line Speed	Operating pressure	Rope Diameter	Winch Construction	Gear Ratio	Winch Weight
HV-8	3630 kg	15mpm	150 bar	11.1mm (7/16") x 27m	Aluminium Die Cast housing with steel Drum	16:1	43.3kg
HV-10	4535 kg	14mpm		12mm (1/2") x 34m		16:1	46.6kg
HV-12	5440 kg	10mpm		14mm (9/16") x 27m		19.4:1	87kg
HV-15	6800 kg	9mpm		16mm (5/8") x 24m		19.4:1	88kg

Your nearest distributor;

The information contained herein is to be used as a guide only, specifications subject to change without notice. All Materials Handling/Lifting jobs should be assessed individually. Pacific Hoists products are NOT to be used for lifting or lowering person/s.



Head Office
24 Foundry Road
Seven Hills NSW 2147
Tel: +61 2 8825 6900
Fax: +61 2 8825 6999
Email: sales@pacifichoists.com.au

PACIFIC HOISTS PTY LTD www.pacifichoists.com.au

Western Australia
3/39 Tullock Way
Canning Vale WA 6155
Tel: +61 8 9456 4140
Fax: +61 8 9456 4142
Email: sales@pacifichoists.com.au

New Zealand
11 Druces Rd
Manukau City South Auckland
New Zealand
Tel: +64 9 263 5566
Fax: +64 9 263 5567
Email: info@pacifichoists.co.nz

