



# Pacific Hoists

## PACIFIC HIGH LIFT HOISTS

The Pacific High Lift Hoists are designed with a unique angled 10 pocket wheel to allow high hoisting speeds at a 40% duty cycle. Capacities range from 125kg to 1000kg and all hoists are fitted with overload protection for added safety. Height of lift can be customised up to 80 meters which makes this hoist suitable for very specific industry applications.

### Features

- All Pacific High Lift Hoists are manufactured to comply with AS1418.2
- Unique design: angled 10 pocket wheel for smoother operation
- All models 3 phase 415V single speed
- Available in 125kg, 250kg, 500kg and 1000kg capacities
- 24V low volt control for operator safety
- Duty cycle rated at 40% ED with 180 starts per hour
- 20 m/min single speed
- IP65 pendant control
- Overload protection - using slipping clutch to prevent overload
- Raise + lower limit switch
- Supplied with 2 mtr pendant and 3 mtr power load as standard
- Hoist having optional:
  - Motorised Trolley
  - Customised lift
  - Chain bucket
  - Chain bucket suspension trolley
  - Juuko radio remote control
  - Customised beam width



10 pocket and 45 degrees lift wheel for smooth chain operation.

## Specifications Hoist

Model		PHL012	PHL025	PHL050	PHL100	
Stock Code		PHL012	PHL025	PHL050	PHL100	
Rated Capacity (kg)		125	250	500	1000	
Standard Lift Height (m)		Up to 80				
Load Chain (Dia X pitch (mm))		Ø 4.0 x 12.0	Ø 6.3 x 19.1	Ø 7.1 x 20.2	Ø 8.0 x 24.0	
Hoisting	Speed m/min	50Hz	20	20	20	10
	Motor (kW)/(Pole)	50Hz	6.0x2P	1.6x2P	2.5x2P	2.5x2P
E.D. Rating (%)		40				
Load Chain Fall No.		1				
N.W./ G.W. (kg)		58/60	111/113	145/148	145/148	

\*Operates on single voltage 415V, 3 ph

\*24V control voltage for operator safety.

## Specifications Trolley

Model		PHT012	PHT025	PHT050	PHT100
Stock Code		PHT012	PHT025	PHT050	PHT100
Speed m/min	50Hz	20			
Motor Power (kw) (Pole)		0.12x2P	0.12x2P	0.18x2P	0.18x2P
N.W. (kg)		45			
Min radius of curve (m)		1.3			

\*Different flange with options available on request.

The information shown is to be used as a guide only. Specifications are subject to change without notice. All materials handling or lifting jobs should be assessed individually. Pacific Hoists products are NOT to be used for lifting or lowering persons.



### HEAD OFFICE

24 Foundry Rd,  
Seven Hills NSW 2147 Australia  
| P +61 2 8825 6900  
| F +61 2 8825 6999  
| E sales@pacifichoists.com.au

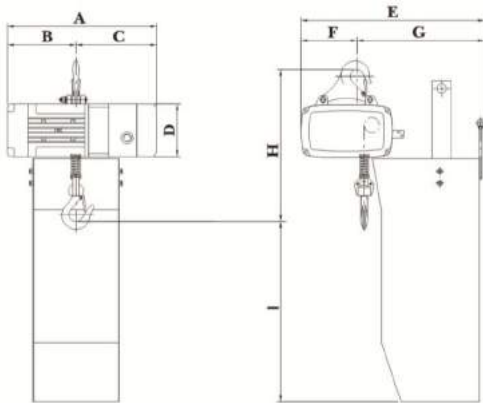
### WESTERN AUSTRALIA

Unit 1, 31 Colin Jamieson Drive,  
Welshpool WA 6106 Australia  
| P +61 8 6253 1000  
| F +61 8 9458 9840  
| E sales@pacifichoists.com.au

### NEW ZEALAND

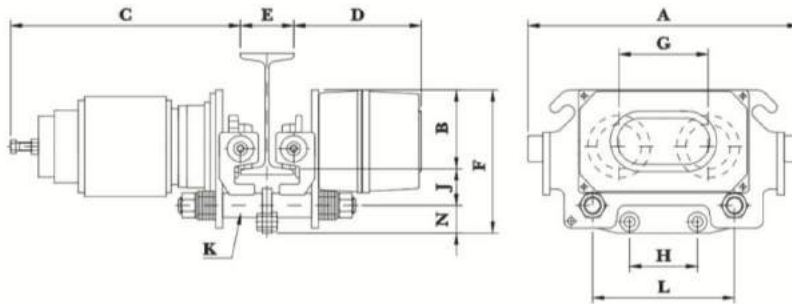
11 Druces Rd,  
Wiri 2104 Auckland New Zealand  
| P +64 9 263 5566  
| F +64 9 263 5567  
| E info@pacifichoists.co.nz

## Dimensions Hoist (in mm)



Model	PHL012	PHL025	PHL050	PHL100
A	380	468	488	488
B	175	221	240	240
C	205	247	248	248
D	135	156	170	170
E	472	534	554	624
F	143	186	188	188
G	329	353	366	436
H	376	485	520	520
I	460	701	710	750

## Dimensions Trolley (in mm)



Model	PHT012	PHT025	PHT050	PHT100
A	382			
B	124.5			
C	324			
D	180			
E	75-125			
F	217			
G	125.5			
H	120	95.5	120	120
L	200			
J	51.5			
N	41			
K	7/8"-9UNC			

The information shown is to be used as a guide only. Specifications are subject to change without notice. All materials handling or lifting jobs should be assessed individually. Pacific Hoists products are NOT to be used for lifting or lowering persons.



### HEAD OFFICE

24 Foundry Rd,  
Seven Hills NSW 2147 Australia  
| P +61 2 8825 6900  
| F +61 2 8825 6999  
| E sales@pacifichoists.com.au

### WESTERN AUSTRALIA

Unit 1, 31 Colin Jamieson Drive,  
Welshpool WA 6106 Australia  
| P +61 8 6253 1000  
| F +61 8 9458 9840  
| E sales@pacifichoists.com.au

### NEW ZEALAND

11 Druces Rd,  
Wiri 2104 Auckland New Zealand  
| P +64 9 263 5566  
| F +64 9 263 5567  
| E info@pacifichoists.co.nz