

**Introduction**

► **Feature**

- Lifting capacity: 900 kg wire rope top layer
- Lifting height: 10 m
- Lifting speed: 24 m/min
- Brake: Electromagnetic spring-applied failsafe brake
- Control: Pendant switch powers the winch

► **Unpacking**

- Winch assembly 1pc
- Wire rope 8 mm x 24.5 m 2pc
- Low voltage control ass'y LV-320 1pc
- Pendant switch PB-306 w/cord 1.25 mm<sup>2</sup> x 3C x 3 m 1pc

► **Read this manual carefully**

You should carefully read and understand this manual before operating it. Careless winch operation may result in personal injury hazards or property damage.

► **Information requesting or parts ordering**

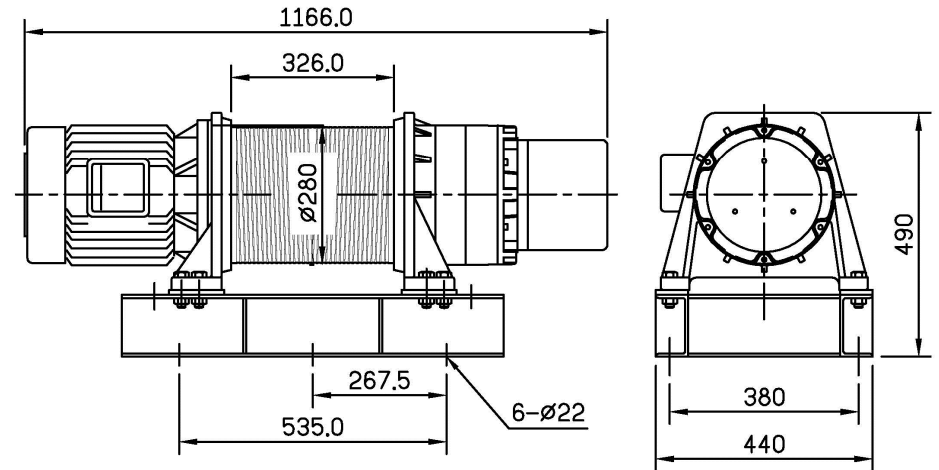
Please specify the followings information:

- Winch PN
- Serial number
- Part description
- Replacement part number
- Quantity for each part

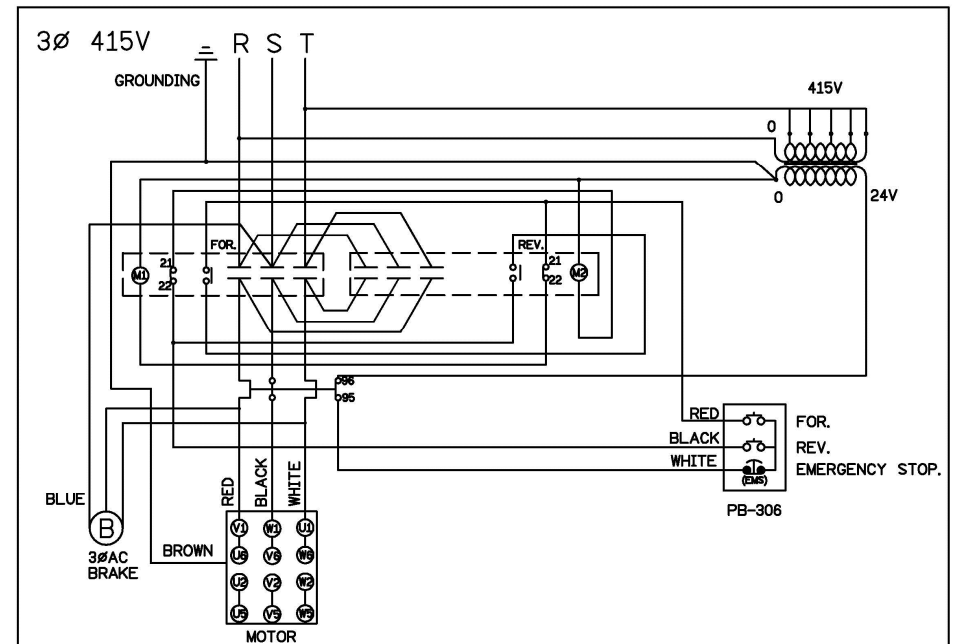
**Installation**

Before using the winch, make sure all electrical components have no corrosion or damaged; the environment should be clear and dry.

► **Dimension in mm**



► **Wiring Diagram**



## Warning

- The winch is not intended to be used in any manner for the movement or lifting of personnel.
- The lifting capacity shown is based on the top layer of rope on the drum.
- The rope winding on the drum shall remain 5 wraps from the drum.

## Parts List

Item No.	Description	Part No.	Qty
1	Motor kit	881878	1
2	Motor support rack kit	881868	1
3	Drum kit	881879	1
4	Connecting shaft kit	881880	1
5	Gearbox support rack kit	881869	1
6	3 <sup>rd</sup> stage carrier	881870	1
7	3 <sup>rd</sup> ring gear kit	881871	1
8	Gear box kit	881872	1
9	2 <sup>nd</sup> shaft kit	881873	1
10	1 <sup>st</sup> gear kit	881874	1
11	3 <sup>rd</sup> shaft kit	881875	1
12	1 <sup>st</sup> shaft kit	881876	1
13	Brake base kit	881877	1
14	Brake kit	881881	1
14-1	Brake disc	881882	2
14-2	Brake coil	881883	1
15	Low voltage control ass'y LV-320	881832	1
15-1	Remote control, PB-306	881048	1
16	Wire rope	881905	2
17	Base plate kit	881885	1

## Winch Assembly

