



Pacific Hoists

PACIFIC SELF-LOCKING BEAM TROLLEYS

Pacific Self-locking Beam Trolleys feature a robust design in accordance with Australian Standard AS1418.2. The spring assisted locking pin enables quick and easy installation which makes this trolley ideally suited for the rigging industry.

Features

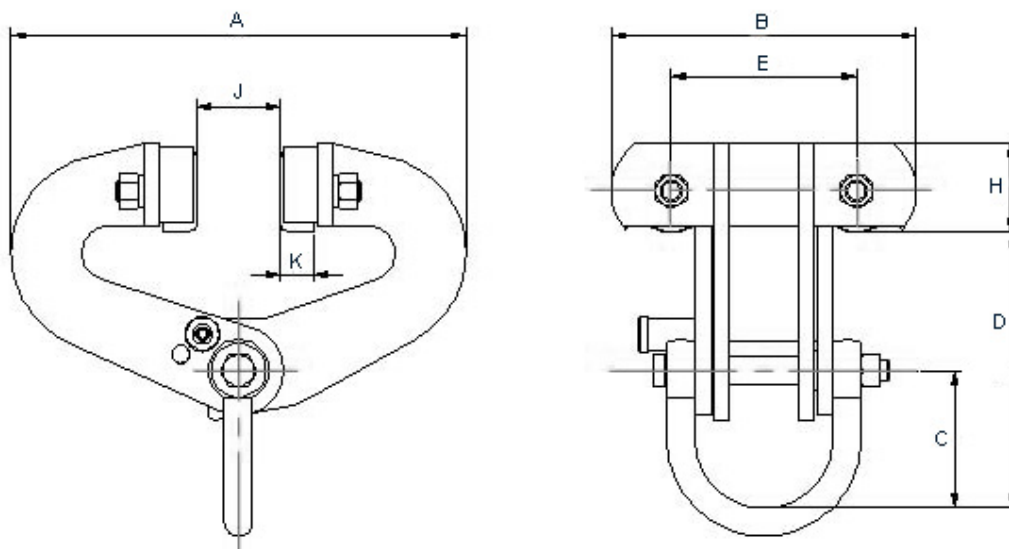
- Designed and tested in accordance with Australian Standard AS1418.2.
- Quick and easy installation with no tools required.
- Suitable for a wide range of beam sizes.
- Inclusive of a spring assisted locking pin for safe and easy attachment to the beam.
- A cost-effective and time saving way of suspending loads.
- Ideal for the rigging industry.



Specifications

MODEL	CLP250	CLP252
Rated Capacity	3 tonne	10 tonne
Beam Size (mm)	76 - 230	120 - 305
Weight (kg)	21	47.5

Dimensions (in mm)



MODEL	CLP250	CLP252
A	380	600
B	280	310
C	126	131
D	253	290
E	170	170
H	82	113
J	30	54
K	32	43



The information shown is to be used as a guide only. Specifications are subject to change without notice. All materials handling or lifting jobs should be assessed individually. Pacific Hoists products are NOT to be used for lifting or lowering persons.

HEAD OFFICE

24 Foundry Rd,
Seven Hills NSW 2147 Australia
| P +61 2 8825 6900
| F +61 2 8825 6999
| E sales@pacifichoists.com.au

WESTERN AUSTRALIA

Unit 1, 31 Colin Jamieson Drive,
Welshpool WA 6106 Australia
| P +61 8 6253 1000
| F +61 8 9458 9840
| E sales@pacifichoists.com.au

NEW ZEALAND

11 Druces Rd,
Wiri 2104 Auckland New Zealand
| P +64 9 263 5566
| F +64 9 263 5567
| E info@pacifichoists.co.nz