



Pacific Hoists

PACIFIC PIPE TROLLEY

The Pacific Pipe Trolley is compact and lightweight, a general purpose unit and designed to suit 60mm O/S diameter pipe.

Features

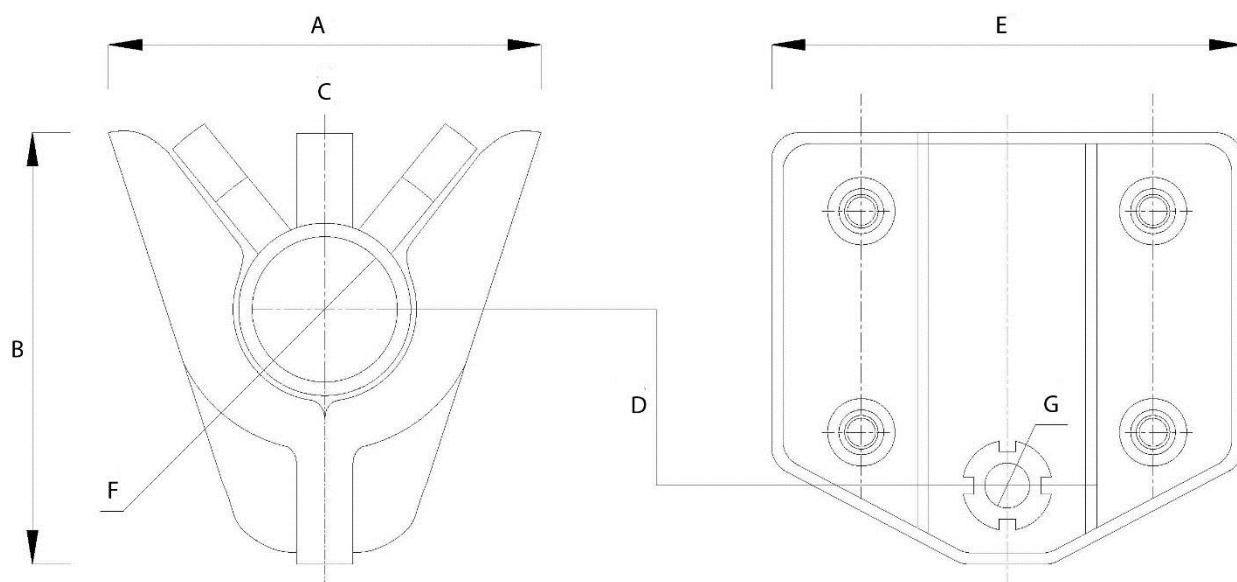
- The Pacific pipe trolley is manufactured to comply with AS1418.2.
- Designed to suit 60mm outside diameter pipe
- Compact and lightweight with powder coated finish.



Specifications

MODEL	PPT203
Stock Code	PPT203
Rated Capacity (kg)	300
Pipe Diameter (mm)	60
Min. Curve Radius (mm)	800
Net Weight (kg)	2.5

Dimensions (in mm)



MODEL	PPT203
A	147.5
B	160
C	22
D	68
E	160
F	60
G	17



The information shown is to be used as a guide only. Specifications are subject to change without notice. All materials handling or lifting jobs should be assessed individually. Pacific Hoists products are NOT to be used for lifting or lowering persons.

HEAD OFFICE

24 Foundry Rd,
Seven Hills NSW 2147 Australia
| P +61 2 8825 6900
| F +61 2 8825 6999
| E sales@pacifichoists.com.au

WESTERN AUSTRALIA

Unit 1, 31 Colin Jamieson Drive,
Welshpool WA 6106 Australia
| P +61 8 6253 1000
| F +61 8 9458 9840
| E sales@pacifichoists.com.au

NEW ZEALAND

11 Druces Rd,
Wiri 2104 Auckland New Zealand
| P +64 9 263 5566
| F +64 9 263 5567
| E info@pacifichoists.co.nz