



# Pacific Hoists

## COMEUP GROOVED ELECTRIC WINCHES

Comeup Grooved Electric Winches come in various sizes and lifting capacities and are precision engineered and constructed from heavy duty material. The grooved drum will prevent the wire rope from building up unevenly when spooled, especially when multiple layers are wrapped. This will increase the performance and life expectancy of this product. Comeup winches are a high performance product with low maintenance, plus they can be custom-built to suit a wide range of applications. Please contact us to see what we can do for you.

### Features

- Lightweight and compact design for easy installation and portable use.
- Grooved drum for even and convenient spooling.
- Electromagnetic spring-applied failsafe brake designed for both static and dynamic loading which applies automatically in the event of power loss.
- Compact load sharing design of the heat-treated planetary gear which ensures quiet operation and long life.
- Low voltage control with emergency stop function available on request.
- Available in 500kg, 1, 2 and 3 tonne capacity with lifting height varying from 5 to 14m.
- Custom-built options available.



CEP500



CEP1000S



CEP2000



CEP3001

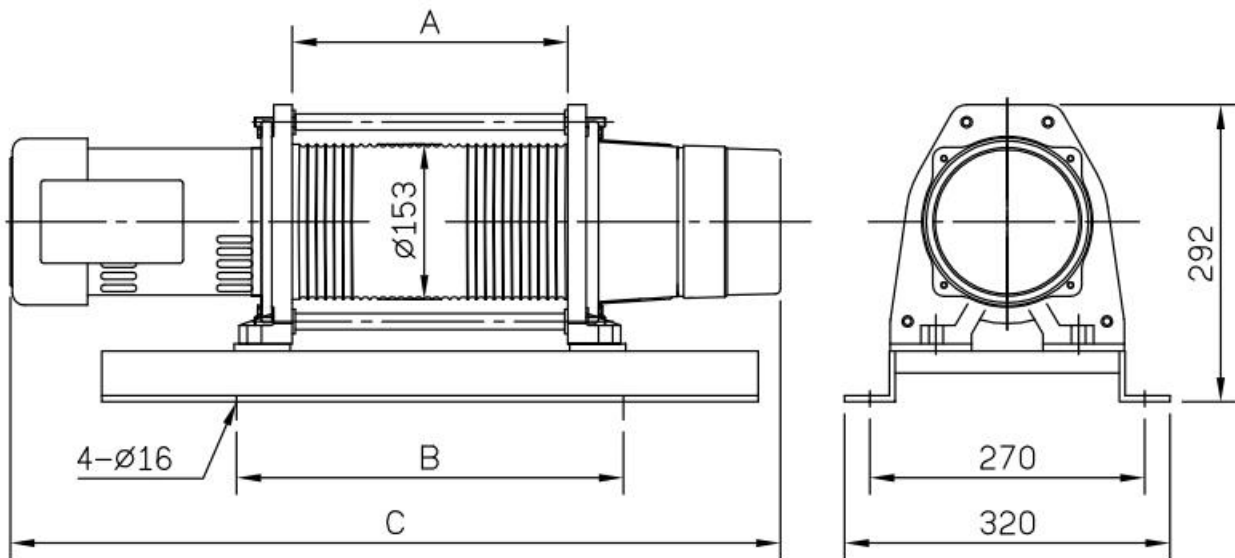
## Specifications

### CEP500(S) RANGE

MODEL	CEP500-5M	CEP500-8M	CEP500S-5M	CEP500S-8M
Rated Capacity (kg)	500			
Phase (50Hz)	Three		Single	
Double Fall Speed (m/min)	8.3			
Motor (kw x P)	0.75 x 4			
Power Source (50Hz)	380/400/415V		220/230/240V	
Lifting Height (m)	5	8	5	8
Wire Rope (ø mmxm)	8 x 16	8 x 22	8 x 16	8 x 22
Dimension	A (mm)	265	365	265
	B (mm)	380	480	380
	C (mm)	770	870	770
Net Weight (kg)	68	73	68	73

## Dimensions

### CEP500(S) RANGE



The information shown is to be used as a guide only. Specifications are subject to change without notice. All materials handling or lifting jobs should be assessed individually. Pacific Hoists products are NOT to be used for lifting or lowering persons.

#### HEAD OFFICE

24 Foundry Rd,  
Seven Hills NSW 2147 Australia  
| P +61 2 8825 6900  
| F +61 2 8825 6999  
| E sales@pacifichoists.com.au

#### WESTERN AUSTRALIA

Unit 1, 31 Colin Jamieson Drive,  
Welshpool WA 6106 Australia  
| P +61 8 6253 1000  
| F +61 8 9458 9840  
| E sales@pacifichoists.com.au

#### NEW ZEALAND

11 Druces Rd,  
Wiri 2104 Auckland New Zealand  
| P +64 9 263 5566  
| F +64 9 263 5567  
| E info@pacifichoists.co.nz

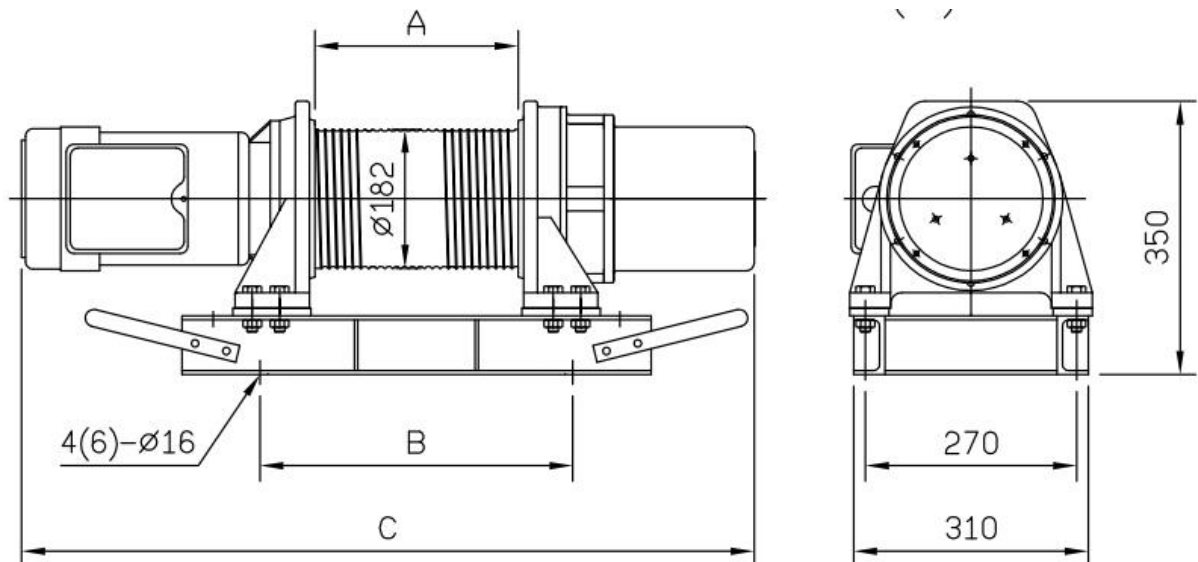
## Specifications

### CEP1000(S) RANGE

Model	CEP 1000-5M	CEP 1000-8m	CEP 1000-14M	CEP 1000S-5M	CEP 1000S-8m	CEP 1000S-14M
Rated Capacity (kg)	1000					
Phase (50Hz)	Three			Single		
Double Fall Speed (m/min)	7.5					
Motor (kw x P)	1.5 x 4					
Power Source (50Hz)	380/400/415V			220/230/240V		
Lifting Height (m)	5	8	14	5	8	14
Wire Rope (Ø mmxm)	8 x 16	8 x 22	8 x 34	8 x 16	8 x 22	8 x 34
Dimension	A (mm)	470	670	1070	470	670
	B (mm)	600	800	1200	600	800
	C (mm)	1150	1350	1750	1150	1350
Net Weight (kg)	111	126	156	111	126	156
Gross weight (kg)	151	166	196	151	166	196

## Dimensions

### CEP1000(S) RANGE



The information shown is to be used as a guide only. Specifications are subject to change without notice. All materials handling or lifting jobs should be assessed individually. Pacific Hoists products are NOT to be used for lifting or lowering persons.

#### HEAD OFFICE

24 Foundry Rd,  
Seven Hills NSW 2147 Australia  
| P +61 2 8825 6900  
| F +61 2 8825 6999  
| E sales@pacifichoists.com.au

#### WESTERN AUSTRALIA

Unit 1, 31 Colin Jamieson Drive,  
Welshpool WA 6106 Australia  
| P +61 8 6253 1000  
| F +61 8 9458 9840  
| E sales@pacifichoists.com.au

#### NEW ZEALAND

11 Druces Rd,  
Wiri 2104 Auckland New Zealand  
| P +64 9 263 5566  
| F +64 9 263 5567  
| E info@pacifichoists.co.nz

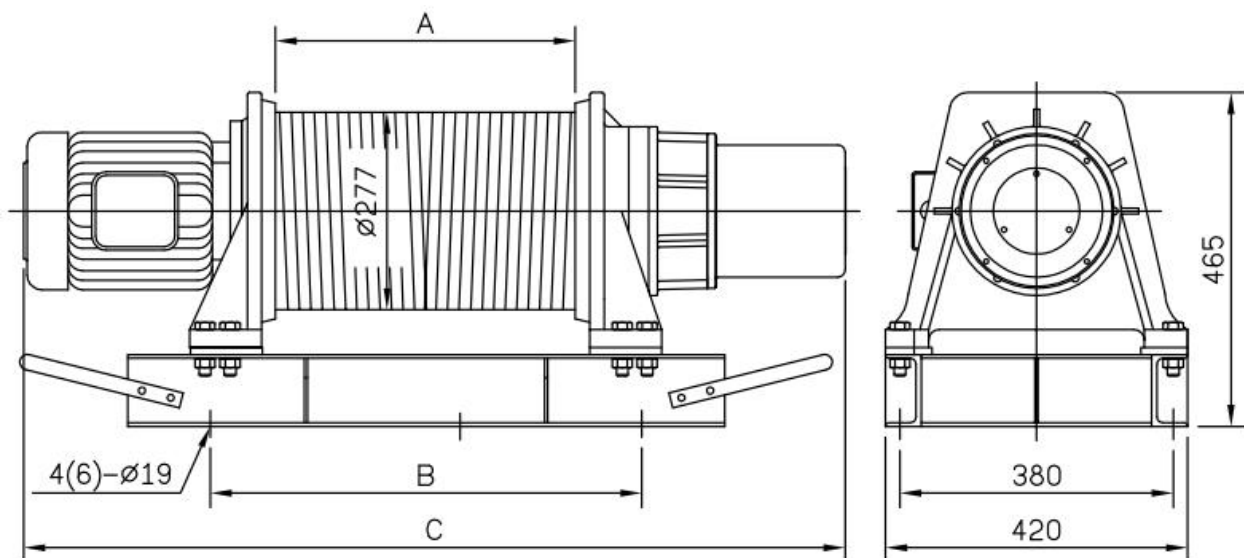
## Specifications

### CEP2000 RANGE

Model	CEP2000-5M	CEP2000-8m	CEP2000-14M
Rated Capacity (kg)	2000		
Phase (50Hz)	Three		
Double Fall Speed (m/min)	5		
Motor (kw x P)	2.3 x 4		
Power Source (50Hz)	380/400/415V		
Lifting Height (m)	5	8	14
Wire Rope (ø mmxm)	10 x 16	10 x 22	10 x 34
Dimension	A (mm)	427	522
	B (mm)	600	700
	C (mm)	1170	1265
Net Weight (kg)	190	215	265
Gross Weight (kg)	240	265	315

## Dimensions

### CEP2000 RANGE



The information shown is to be used as a guide only. Specifications are subject to change without notice. All materials handling or lifting jobs should be assessed individually. Pacific Hoists products are NOT to be used for lifting or lowering persons.

#### HEAD OFFICE

24 Foundry Rd,  
Seven Hills NSW 2147 Australia  
| P +61 2 8825 6900  
| F +61 2 8825 6999  
| E sales@pacifichoists.com.au

#### WESTERN AUSTRALIA

Unit 1, 31 Colin Jamieson Drive,  
Welshpool WA 6106 Australia  
| P +61 8 6253 1000  
| F +61 8 9458 9840  
| E sales@pacifichoists.com.au

#### NEW ZEALAND

11 Druces Rd,  
Wiri 2104 Auckland New Zealand  
| P +64 9 263 5566  
| F +64 9 263 5567  
| E info@pacifichoists.co.nz



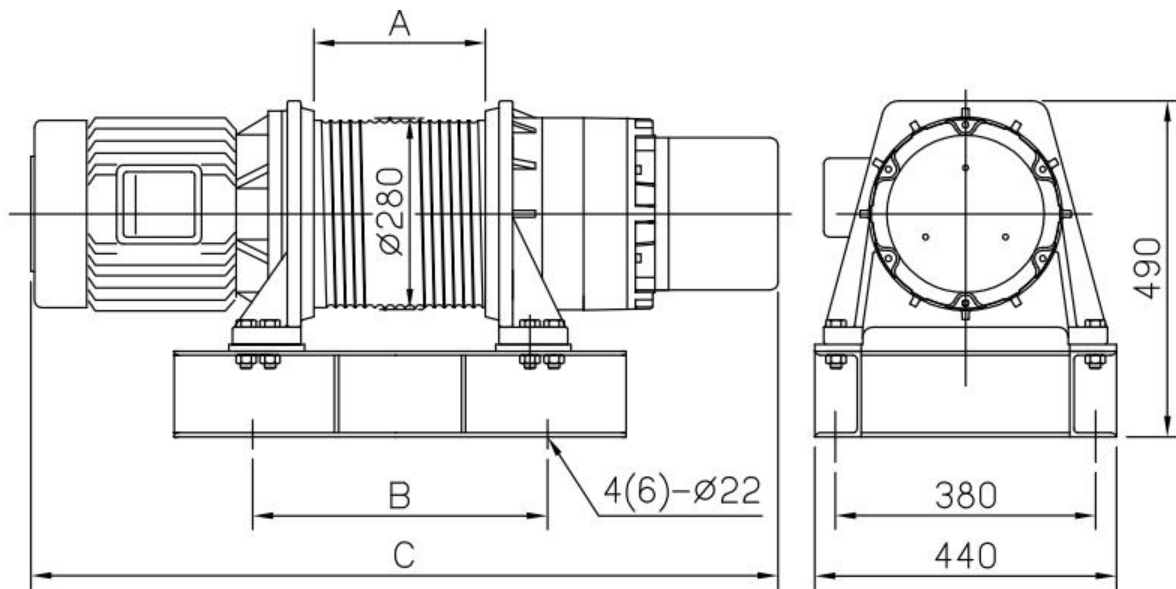
## Specifications

### CEP3001 RANGE

Model	CEP3001-5M	CEP 3001-8m	CEP3001-14M
Rated Capacity (kg)	3000		
Phase (50Hz)	Three		
Double Fall Speed (m/min)	5.8		
Motor (kw x P)	5 x 4		
Power Source (50Hz)	380/400/415V		
Lifting Height (m)	5	8	14
Wire Rope (ø mmxm)	12 x 16	12 x 22	12 x 34
Dimension	A (mm)	460	610
	B (mm)	640	790
	C (mm)	1300	1450
Net Weight (kg)	239	252	283
Gross Weight (kg)	289	307	348

## Dimensions

### CEP3001 RANGE



The information shown is to be used as a guide only. Specifications are subject to change without notice. All materials handling or lifting jobs should be assessed individually. Pacific Hoists products are NOT to be used for lifting or lowering persons.



#### HEAD OFFICE

24 Foundry Rd,  
Seven Hills NSW 2147 Australia  
| P +61 2 8825 6900  
| F +61 2 8825 6999  
| E sales@pacifichoists.com.au

#### WESTERN AUSTRALIA

Unit 1, 31 Colin Jamieson Drive,  
Welshpool WA 6106 Australia  
| P +61 8 6253 1000  
| F +61 8 9458 9840  
| E sales@pacifichoists.com.au

#### NEW ZEALAND

11 Druces Rd,  
Wiri 2104 Auckland New Zealand  
| P +64 9 263 5566  
| F +64 9 263 5567  
| E info@pacifichoists.co.nz