

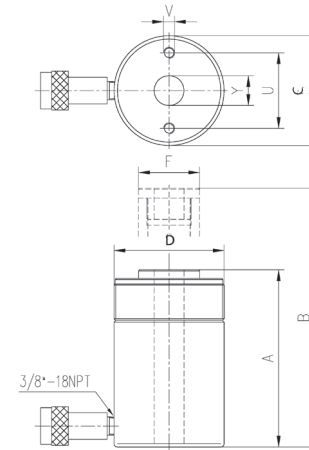
Features

1. Used in confined spaces
2. Complies to ASME B-30.1. High strength alloy steel for durability
3. Mounting holes for ease of fixture
4. Heavy duty plunger return springs
5. High quality 3/8-18NPT quick coupling
6. Grooved plunger end with threaded holes for mounting tilt saddles
7. Baked enamel finish for increased corrosion resistance



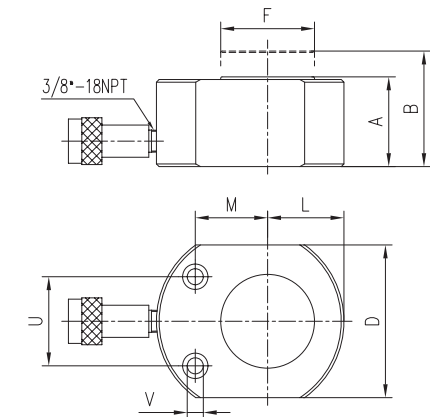
PSLH Specifications

| | | | | | |
|---|---------|---------|---------|---------|----------|
| Capacity @ 700 bar tonne | 10 | 20 | 30 | 45 | 100 |
| Stroke mm | 38 | 44 | 62 | 60 | 57 |
| Product Code | PSLH101 | PSLH201 | PSLH302 | PSLH502 | PSLH1002 |
| Cylinder Effective Area cm ² | 14.4 | 28.6 | 41.9 | 62.1 | 126.9 |
| Oil Capacity cm ³ | 55 | 126 | 260 | 373 | 723 |
| Collapsed Height A mm | 88 | 99 | 118 | 122 | 141 |
| Extended Height B mm | 126 | 143 | 180 | 182 | 198 |
| Outside Diametre D mm | 69 | 92 | 102 | 124 | 164 |
| Piston Rod Diametre F mm | 38 | 51 | 66 | 70 | 92 |
| Thread V | M4 | M5 | M4 | M5 | M8 |
| Bolt Centres U mm | 26 | 39.5 | 39.5 | 39.5 | 55.5 |
| Weight kg | 4.1 | 5.1 | 6.8 | 10.9 | 22.7 |



PSLC Specifications

| | | | | | | | | |
|---|---------|---------|---------|---------|---------|---------|----------|----------|
| Capacity @ 700 bar tonne | 5 | 10 | 20 | 30 | 50 | 75 | 100 | 150 |
| Stroke mm | 6 | 12 | 11 | 13 | 16 | 16 | 16 | 16 |
| Product Code | PSLC50* | PSLC100 | PSLC200 | PSLC300 | PSLC500 | PSLC750 | PSLC1000 | PSLC1500 |
| Cylinder Effective Area cm ² | 7 | 14.5 | 28.6 | 42 | 62.1 | 102.7 | 126.8 | 198.1 |
| Oil Capacity cm ³ | 4.3 | 16 | 31 | 55 | 99 | 164 | 203 | 317 |
| Collapsed Height A mm | 33 | 43 | 52 | 59 | 67 | 80 | 86 | 100 |
| Extended Height B mm | 39 | 54 | 63 | 71 | 83 | 95 | 102 | 116 |
| Outside Diametre D mm | 59X42 | 83X56 | 101X76 | 117X95 | 140X114 | 165X139 | 178X153 | 215X190 |
| Piston Rod Diametre F mm | 25 | 38 | 51 | 66 | 70 | 83 | 92 | 115 |
| M mm | 21 | 34 | 39.6 | 44.5 | 54 | 66 | 74.5 | 82 |
| L mm | 25 | 28 | 40 | 48 | 57 | 69 | 76 | 95.5 |
| Top of cylinder rod V mm | 5.5 | 7 | 10 | 10 | 11 | 13.5 | 13.5 | 13.5 |
| Bolt Centres U mm | 28.5 | 36.5 | 49 | 52 | 66.5 | 76 | 76 | 117 |
| Weight kg | 1 | 1.4 | 3.1 | 4.5 | 6.8 | 11.4 | 14.5 | 26.3 |



*This part has a 1/4 NPT fitting and adapters are available upon request

The information contained in this brochure is to be used as a guide only, specifications are subject to change without notice.