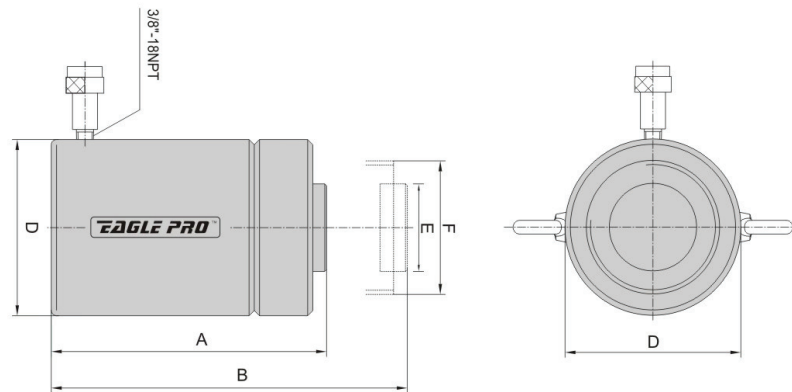


Features

1. Safety Lock Nut for mechanical load holding
2. High flow 3/8-18 NPT quick coupler
3. Overflow port function as a stroke limiter
4. Environmentally friendly finish that also prevents rust and corrosion



Capacity @ 700 bar tonne	Stroke mm	Product Code	Oil Capacity cm3	Effective Area cm2	Collapsed Height A mm	Extended Height B mm	Outside Diameter D mm	Saddle Diameter E mm	Piston Rod Diameter F mm	Weight kg
50	50	PLC502	354	70.8	164	214	125	71	Tr95x4	15
	50	PLC504	708		214	314				20
	50	PLC506	1062		264	414				25
	200	PLC508	1416		314	514				30
	250	PLC5010	1770		364	614				35
	300	PLC5012	2124		414	714				40
100	50	PLC1002	663.5	132.7	187	237	165	71	Tr130x6	30
	100	PLC1004	1327		237	337				39
	150	PLC1006	1990.5		287	437				48
	200	PLC1008	2654		337	537				56
	250	PLC10010	3317.5		387	637				64
	300	PLC10012	3981		437	737				73
150	50	PLC1502	1005	201	209	259	205	30	Tr160x6	53
	100	PLC1504	2010		259	359				66
	150	PLC1506	3015		309	459				78
	200	PLC1508	4020		359	559				92
	250	PLC15010	5025		409	659				104
	300	PLC15012	6030		459	759				117
200	50	PLC2002	1417	283.4	243	293	235	71	Tr185x6	83
	150	PLC2006	4251		343	493				118
	250	PLC20010	7085		443	693				153
250	50	PLC2502	1814.5	362.9	249	299	275	150	Tr215x6	116
	150	PLC2506	5443.5		349	499				163
	250	PLC25010	9072.5		449	699				210
300	50	PLC3002	2261	452.2	295	345	310	139	Tr240x6	173
	150	PLC3006	6783		395	545				233
	250	PLC30010	11305		495	745				293
400	50	PLC4002	2905	572	335	385	350	159	Tr265x6	251
	150	PLC4006	8715		435	585				327
	250	PLC4101	14525		535	785				403
500	50	PLC5002	3651	730.2	375	425	400	179	Tr305x6	367
	150	PLC5006	10953		475	625				467
	250	PLC50010	18255		575	825				568
600	50	PLC6002	4274.5	854.9	395	445	430	194	Tr330x6	447
	150	PLC6006	12823.5		495	645				563
	250	PLC60010	21372.5		595	845				680
800	50	PLC8002	5818	1163.6	455	505	505	224	Tr385x6	711
	150	PLC8006	17454		555	705				871
	250	PLC80010	29090		655	905				1031
1000	50	PLC10002	7257.5	1451.5	495	545	560	249	Tr430x6	951
	150	PLC10006	21772.5		595	745				1143
	250	PLC100010	36287.5		695	945				1335