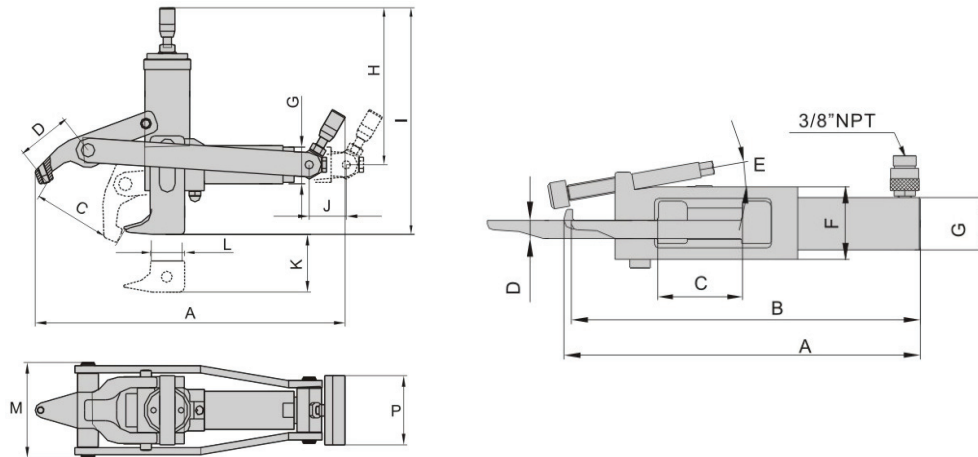


Features

1. Integrated design, alloy steel claw and chromed pump piston and ram increased strength of overall structure
2. Used with PHP001 Hand pump or PAP002 Air pump to supply hydraulic power
3. PBB001 works on all single, two and three piece, 2-5-10 hole budd, 7.5x16s and all tubeless truck tyres/rims. Working range up to 5 inches
4. PBB002 works on 5 piece rims 25" to 51" with pry bar bead loosening pockets.
5. Self-retracting
6. Durable, anti-corrosive finish



PBB Specifications



Model	PEBB001	PEBB002
A mm	450	433
B mm	192	422.8
C mm	130	102
D mm	76	22
E mm	65	100
F mm	55	88
G mm	51	64
H mm	227	-
I mm	327	-
J mm	50	-
K mm	95	-
L mm	38	-
M mm	138	-
N mm	85	-
P mm	100	-

The information contained in this brochure is to be used as a guide only, specifications are subject to change without notice.