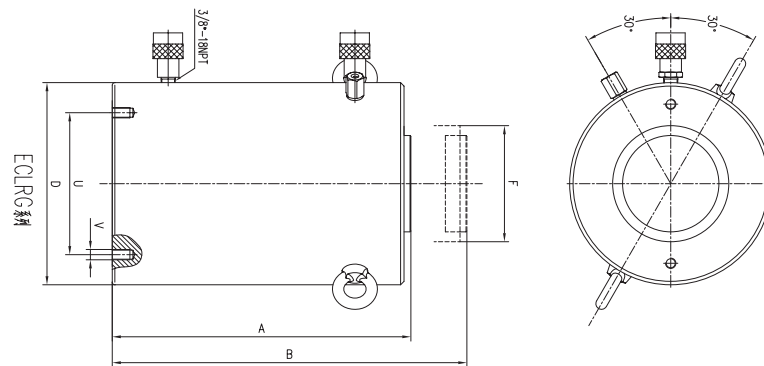


Features

1. Complies to ASME B-30.1. High strength alloy steel for durability and added safety
2. Base mounting holes for easy fixture
3. Handle lock and mounting holes on top and collar for ease of carrying
4. High quality 3/8-18NPT quick couplings
5. Baked enamel finish for corrosion resistance



PDTC Specifications

Capacity @ 700 bar tonne	50						100						150						200		
Stroke mm	50	100	150	200	250	300	50	100	150	200	250	300	50	100	150	200	250	300	50	150	300
Product Code	PDTC502	PDTC504	PDTC506	PDTC508	PDTC5010	PDTC5012	PDTC1002	PDTC1004	PDTC1006	PDTC1008	PDTC10010	PDTC10012	PDTC1502	PDTC1504	PDTC1506	PDTC1508	PDTC15010	PDTC15012	PDTC2002	PDTC2006	PDTC20012
Cyl Capacity tonne Advance	50						100						150						200		
Retract	29						48						75						98		
Effective Area cm2 Adv	78.5						132.7						201						268.7		
Retract	40						61.9						97.1						125.6		
Oil Capacity Cm3 Adv	392.5	785	1177.5	1570	1962.5	2355	664	1327	1991	2655	3318	3982	1005	2010	3015	4020	5025	6030	1344	4031	8061
Retract	200	400	600	800	1000	1200	309	619	928	1237	1546	1856	485.5	971	1456.5	1942	2427.5	2913	628	1884	3768
Collapsed Height A mm	162	212	262	312	362	412	179	229	279	329	379	429	196	246	296	346	396	446	212	312	462
Extended Height B mm	212	312	412	512	612	712	229	329	429	529	629	729	246	346	446	546	646	746	262	462	762
Outside Diameter D mm	129						165						205						235		
Piston Rod Diameter F mm	70						95						115						135		
Bolt Centres U mm	65						95						130						165		
Thread V	M12																				
Weight kg	17	19.5	22	25.5	29	31.5	29	34	40	46	53	79	39	52	65	78	92	105	55	91	146
Capacity @ 700 bar tonne	250			300			400			500			600			800			1000		
Stroke mm	50	150	300	50	150	300	50	150	300	50	150	300	50	150	300	50	150	300	50	150	300
Product Code	PDTC2502	PDTC2506	PDTC25012	PDTC3002	PDTC3006	PDTC30012	PDTC4002	PDTC4006	PDTC40012	PDTC5002	PDTC5006	PDTC50012	PDTC6002	PDTC6006	PDTC60012	PDTC8002	PDTC8006	PDTC80012	PDTC10002	PDTC10006	PDTC100012
Cyl Capacity tonne Advance	250			300			400			500			600			800			1000		
Retract	118			117			150			192			229			300			420		
Effective Area cm2 Adv	362.9			452.5			572			730.2			854.9			1163.6			1451.5		
Retract	149.2			153.7			188.4			239.6			303.6			384.7			517.1		
Oil Capacity Cm3 Adv	1815	5444	10887	2261	6783	13566	2860	7580	15160	3651	10953	21906	4275	12824	25647	5818	17454	34908	7258	21773	43545
Retract	763	2289	4578	769	2306	4611	1055	3165	6330	1198	3594	7188	1518	4554	9108	1924	5771	11541	2586	7757	15513
Collapsed Height A mm	235	335	485	322	422	572	374	474	624	419	519	669	429	529	679	484	584	734	564	664	814
Extended Height B mm	285	485	785	372	572	872	424	624	924	469	669	969	479	679	979	534	734	1034	614	814	1114
Outside Diameter D mm	275			310			350			400			430			505			560		
Piston Rod Diameter F mm	165			200			215			250			265			320			345		
Bolt Centres U mm	190			180			205			250			275			330			375		
Thread V	M12																				
Weight kg	89	136	207	184	232	303	270	330	421	401	480	599	474	565	701	741	868	1058	1062	1213	1439

The information contained in this brochure is to be used as a guide only, specifications are subject to change without notice.

Head Office
Brisbane

24 Foundry Road Seven Hills NSW 2147 P +61 2 8825 6900 F +61 2 8825 6999
Unit 5, 54 Nealdon Drive Meadowbrook QLD 4131 P +61 7 3170 3800 F +61 7 3170 3811

Perth
Auckland

Unit 1, 31 Colin Jamieson Drive Welshpool WA 6106 P +61 8 6253 1000 F +61 8 9458 9840
11 Druces Road Manukau City South Auckland P+ 64 9263 5566 F + 64 9263 5567