



Pacific Hoists

COMEUP CAPSTAN WINCH

The Comeup Capstan Winch is suited to tackle the toughest wall, ground and underground pulling applications, due to its dual capacity of 2500kg and 1500kg. This product is precision engineered and constructed from heavy duty material which creates a high performance product with low maintenance.

Features

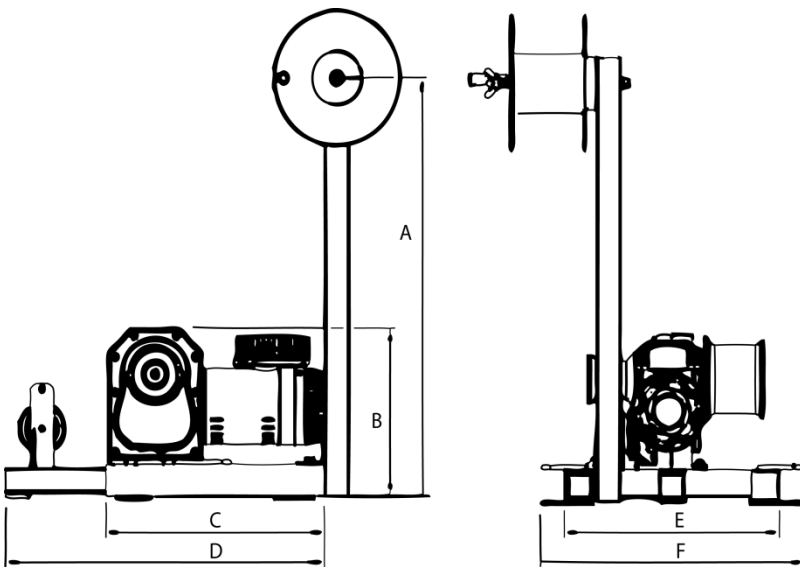
- 240 volt single phase cable puller.
- Dual pulling capacity of 2500 kg and 1500 kg.
- Dual speeds vary according to drum size.
- Over load protection switch which ensure automatic shut-off.
- Electromagnetic spring-applied fail safe brake.
- Heavy duty high efficiency ball bearings on all running surfaces.
- Rugged high power induction motor for proven reliability.
- Case hardened gear train for maximum mechanical efficiency.
- Rope storage reeler.
- Supplied with 3m power supply cable.
- Suitable rope diameter 7mm to 12mm. Please note that rope is not supplied as standard.
- A minimum of six wraps of rope around the drum is necessary to support the rated load.
- Do not use the Comeup Capstan Winch as a lifting device for vertical lifting.



Specifications

MODEL	H2500	
Drum Type	Large Drum	Small Drum
Stock Code	CAP250	
Rated Capacity	1500	2500
Max. Pulling Duration (min)	15	15
Motor Output	240V 0.6kW IP44	
Rope Speed(m/min)	4.0	2.5
Control	Foot Control	
Gear Ratio	154:1	
Net Weight (kg)	60	60

Dimensions (in mm)



MODEL	H2500
A	850
B	320
C	450
D	655
E	440
F	540



The information shown is to be used as a guide only. Specifications are subject to change without notice. All materials handling or lifting jobs should be assessed individually. Pacific Hoists products are NOT to be used for lifting or lowering persons.

HEAD OFFICE

24 Foundry Rd,
Seven Hills NSW 2147 Australia
| P +61 2 8825 6900
| F +61 2 8825 6999
| E sales@pacifichoists.com.au

WESTERN AUSTRALIA

Unit 1, 31 Colin Jamieson Drive,
Welshpool WA 6106 Australia
| P +61 8 6253 1000
| F +61 8 9458 9840
| E sales@pacifichoists.com.au

NEW ZEALAND

11 Druces Rd,
Wiri 2104 Auckland New Zealand
| P +64 9 263 5566
| F +64 9 263 5567
| E info@pacifichoists.co.nz