



Pacific Hoists

PACIFIC GIRDER TROLLEYS (NEW ZEALAND ONLY)

Pacific Girder Trolleys feature high quality construction for an economical price. They are available in either a push or geared variety, single or twin pin and they comply with all relevant Australian Standards.

Features

- All Pacific girder trolleys are manufactured to comply with AS1418.2.
- Fully adjustable to suit various beam widths.
- Fitted with anti-drop plates for improved safety and compliance.
- High-grade, fully sealed bearings for maintenance free extended life.
- Available with either push or hand geared travel in single or twin pin.
- Anti-drop plates as standard for improved safety and compliance.



Specifications

Pacific Girder Trolleys (PUSH / SINGLE PIN)

MODEL	PPT303HK	PPT305HK	PPT310HK	PPT315HK	PPT320HK	PPT330HK	PPT350HK
Rated Capacity (kg)	250	500	1000	1500	2000	3000	5000
Pin Configuration	Single	Single	Single	Single	Single	Single	Single
Min. radius of curve (m)	0.8	0.8	1	1	1.1	1.3	1.4
Net Weight (kg)	4	6	12	15	18	30	44

Pacific Girder Trolleys (GEARED / SINGLE PIN)

MODEL	PGT305	PGT310	PGT315	PGT320	PGT330	PGT350
Rated Capacity (kg)	500	1000	1500	2000	3000	5000
Pin Configuration	Single	Single	Single	Single	Single	Single
Min. radius of curve (m)	0.8	1	1	1.1	1.3	1.4
Net Weight (kg)	10	15	18.5	22	35	46

Pacific Girder Trolleys (PUSH / TWIN PIN)

MODEL	PPT305MK	PPT310MK	PPT320MK	PPT330MK	PPT350MK
Rated Capacity (kg)	500	1000	2000	3000	5000
Pin Configuration	Twin	Twin	Twin	Twin	Twin
Min. radius of curve (m)	0.9	0.9	1	1.2	1.3
Net Weight (kg)	6	12	18	30	44



The information shown is to be used as a guide only. Specifications are subject to change without notice. All materials handling or lifting jobs should be assessed individually. Pacific Hoists products are NOT to be used for lifting or lowering persons.

HEAD OFFICE

24 Foundry Rd,
Seven Hills NSW 2147 Australia
| P +61 2 8825 6900
| F +61 2 8825 6999
| E sales@pacifichoists.com.au

WESTERN AUSTRALIA

Unit 1, 31 Colin Jamieson Drive,
Welshpool WA 6106 Australia
| P +61 8 6253 1000
| F +61 8 9458 9840
| E sales@pacifichoists.com.au

NEW ZEALAND

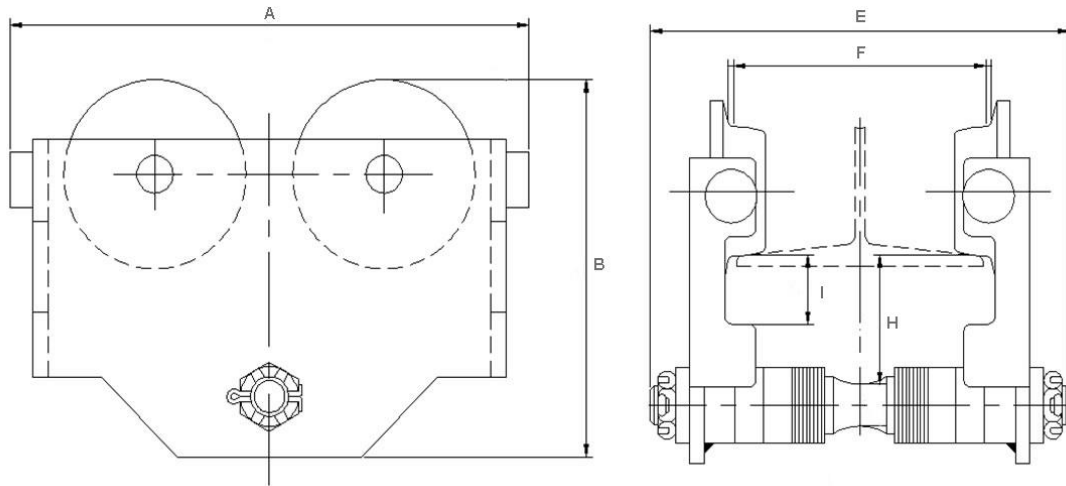
11 Druces Rd,
Wiri 2104 Auckland New Zealand
| P +64 9 263 5566
| F +64 9 263 5567
| E info@pacifichoists.co.nz

Pacific Girder Trolleys (GEARED / TWIN PIN)

MODEL	PGT300MK	PGT315MK	PGT390MK
Rated Capacity (kg)	10000	15000	20000
Pin Configuration	Twin	Twin	Twin
Min. radius of curve (m)	2	3.5	3.5
Net Weight (kg)	176	321	326

Dimensions (in mm)

Pacific Girder Trolleys (PUSH / SINGLE PIN)



MODEL	PPT303HK	PPT305HK	PPT310HK	PPT315HK	PPT320HK	PPT330HK	PPT350HK
A	175	199	246	260	276	332	377
B	152	158.5	190	205	217	263	293
E	268	268	290	304	318	344	364
F	50-152	50-180	66-188	74-192	88-200	100-205	114-212
H	55.5	57.5	67	72	75	88	96.5
I	32	35	38	38	38	42	45



The information shown is to be used as a guide only. Specifications are subject to change without notice. All materials handling or lifting jobs should be assessed individually. Pacific Hoists products are NOT to be used for lifting or lowering persons.

HEAD OFFICE

24 Foundry Rd,
Seven Hills NSW 2147 Australia
| P +61 2 8825 6900
| F +61 2 8825 6999
| E sales@pacifichoists.com.au

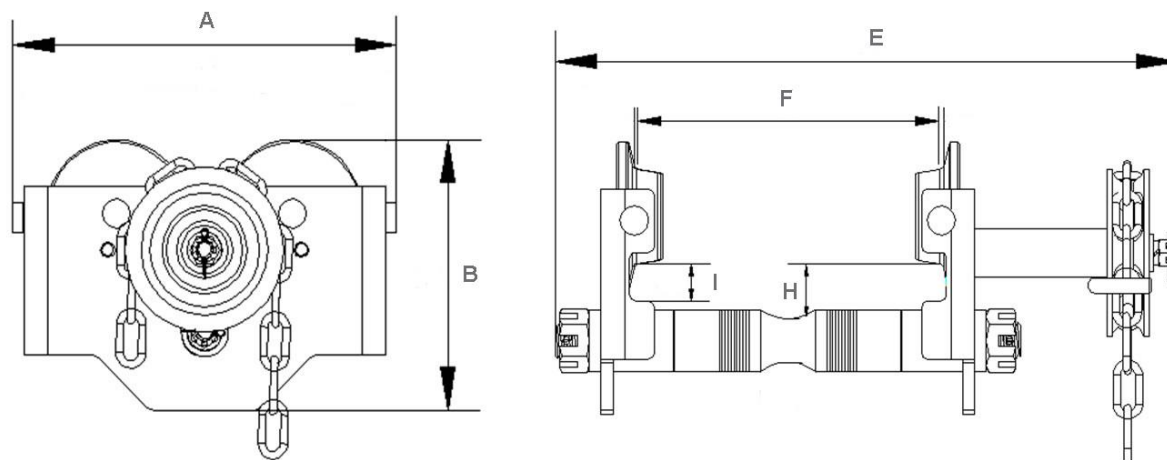
WESTERN AUSTRALIA

Unit 1, 31 Colin Jamieson Drive,
Welshpool WA 6106 Australia
| P +61 8 6253 1000
| F +61 8 9458 9840
| E sales@pacifichoists.com.au

NEW ZEALAND

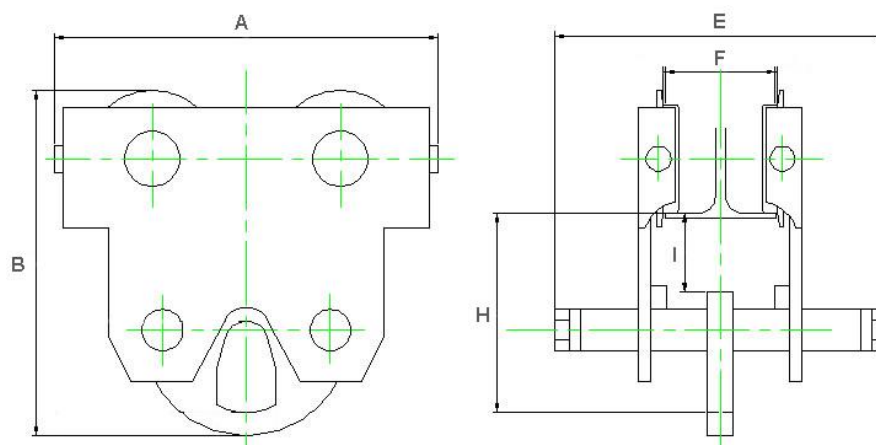
11 Druces Rd,
Wiri 2104 Auckland New Zealand
| P +64 9 263 5566
| F +64 9 263 5567
| E info@pacifichoists.co.nz

Pacific Girder Trolleys (GEARED / SINGLE PIN)



MODEL	PGT305	PGT310	PGT315	PGT320	PGT330	PGT350
A	199	246	260	276	332	377
B	158.5	190	205	217	263	293
E	306	355	369	383	409	429
F	50-180	66-188	74-192	88-200	100-205	114-212
H	57.5	67	72	75	88	96.5
I	35	38	38	38	42	45

Pacific Girder Trolleys (PUSH / TWIN PIN)



The information shown is to be used as a guide only. Specifications are subject to change without notice. All materials handling or lifting jobs should be assessed individually. Pacific Hoists products are NOT to be used for lifting or lowering persons.

HEAD OFFICE

24 Foundry Rd,
Seven Hills NSW 2147 Australia
| P +61 2 8825 6900
| F +61 2 8825 6999
| E sales@pacifichoists.com.au

WESTERN AUSTRALIA

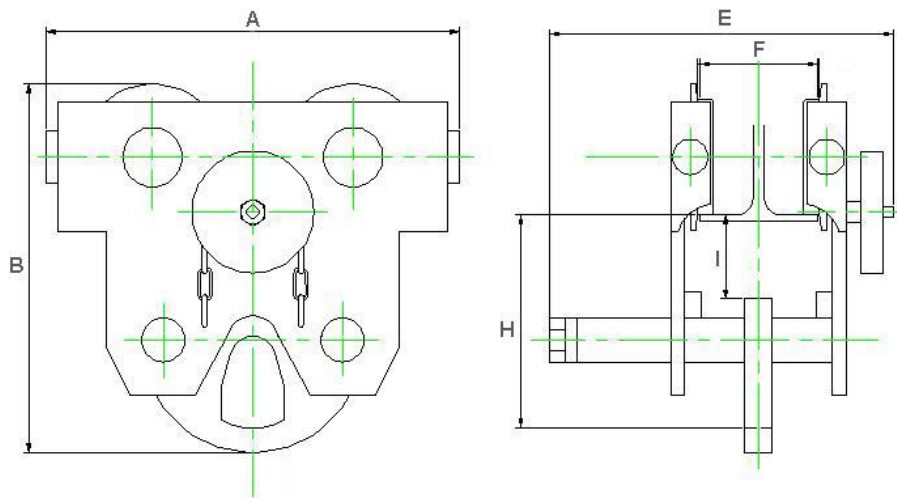
Unit 1, 31 Colin Jamieson Drive,
Welshpool WA 6106 Australia
| P +61 8 6253 1000
| F +61 8 9458 9840
| E sales@pacifichoists.com.au

NEW ZEALAND

11 Druces Rd,
Wiri 2104 Auckland New Zealand
| P +64 9 263 5566
| F +64 9 263 5567
| E info@pacifichoists.co.nz

MODEL	PPT305MK	PPT310MK	PPT320MK	PPT330MK	PPT350MK
A	194	236	266	322	352
B	158	196	226	266	301
E	236	303	317	333	355
F	50 – 152	64 – 203	88 – 203	100 – 203	114 – 203
H	75	96	110	122	142
I	30	38	38	40	42

Pacific Girder Trolleys (GEARED / TWIN PIN – 10t to 20t)



MODEL	PGT300MK	PGT315MK	PGT390MK
A	490	605	605
B	395	498	498
E	862	1002	1002
F	124 - 305	136 - 305	136 - 305
H	189	237	233
I	45	62	58



The information shown is to be used as a guide only. Specifications are subject to change without notice. All materials handling or lifting jobs should be assessed individually. Pacific Hoists products are NOT to be used for lifting or lowering persons.

HEAD OFFICE

24 Foundry Rd,
 Seven Hills NSW 2147 Australia
 | P +61 2 8825 6900
 | F +61 2 8825 6999
 | E sales@pacifichoists.com.au

WESTERN AUSTRALIA

Unit 1, 31 Colin Jamieson Drive,
 Welshpool WA 6106 Australia
 | P +61 8 6253 1000
 | F +61 8 9458 9840
 | E sales@pacifichoists.com.au

NEW ZEALAND

11 Druces Rd,
 Wiri 2104 Auckland New Zealand
 | P +64 9 263 5566
 | F +64 9 263 5567
 | E info@pacifichoists.co.nz