



Pacific Hoists

JDN LOW HEADROOM TROLLEYS

The JDN Low Headroom Trolleys are the solution where headroom is restricted and standard trolleys are unable to meet the lifting height requirements. This, together with having the JDN Air Hoist mounted in a horizontal position, could just be the answer in a difficult lifting situation. The carrying capacity of these models vary from 0.5 tonne up to 6.3 tonne, with an air pressure of 6 bar.

Features

- Manufactured in Germany, under strict quality control with demanding tolerances.
- All JDN models are manufactured to comply with AS1418.2.
- Small number of maintenance / wear-free moving parts.
- No additional motor lubrication required.
- Two-step travelling speed.
- Adjustable trolley widths to suit your requirements.
- Able to negotiate curves.
- Extended trolley tie bars for bulky elongated loads.
- Optional Rack and pinion drive, off shore paint and spark resistant packages available
- Various options for Air supply systems available



Specifications

Hoists & Trolley Model	PROFI 0.5Ti & LMF05 - 2t	PROFI 1Ti & LMF05 - 2t	PROFI 2Ti & LMF05 - 2t	PROFI 3Ti & LMF3.2t	PROFI 6Ti & LMF6.3t
Stock Code	JDN706	JDN715	JDN725	JDN735	JDN765
Rated Capacity (tonne)	0.5	1	2	3.2	6.3
No. of chain strands	1	1	2	1	2
Motor Output – Hoist (kW)	1	1	1	3.5	3.5
Motor Output – Trolley (kW)	0.2	0.2	0.2	0.2	0.2
Air Pressure (bar)	6	6	6	6	6
Lifting speed at full load (m/min)	10	5	2.5	4.5	2.2
Lowering speed at full load (m/min)	17	11	5.5	10.8	5.4
Travelling speed at full load (m/min)	9 / 14	9 / 14	9 / 14	9 / 14	9 / 14
Air consumption at full load (m ³ /min)	1.2	1.2	1.2	1.2	1.2
Air Connection	G½	G½	G½	G¾	G¾
Hose Dimension (mm)	13	13	13	19	19
Weight with standard lift & control (kg)	98	99	105	210	330
Chain Dimension (mm)	7 x 21	7 x 21	7 x 21	13 x 36	13 x 36
Weight of chain (kg)	1	1	1	3.8	3.8
Standard Lift (m)	3	3	3	3	3
Max. bottom flange – thickness (mm)	25	25	25	35	35
Max. bottom flange – width (mm)	310	310	310	310	310
Min. bottom flange – width (mm)	80	80	80	125	125
Noise level at full load lifting (dB (A))	75	76	76	78	78
Noise level at full load lowering (dB (A))	78	78	78	80	80



The information shown is to be used as a guide only. Specifications are subject to change without notice. All materials handling or lifting jobs should be assessed individually. Pacific Hoists products are NOT to be used for lifting or lowering persons.

HEAD OFFICE

24 Foundry Rd,
Seven Hills NSW 2147 Australia
| P +61 2 8825 6900
| F +61 2 8825 6999
| E sales@pacifichoists.com.au

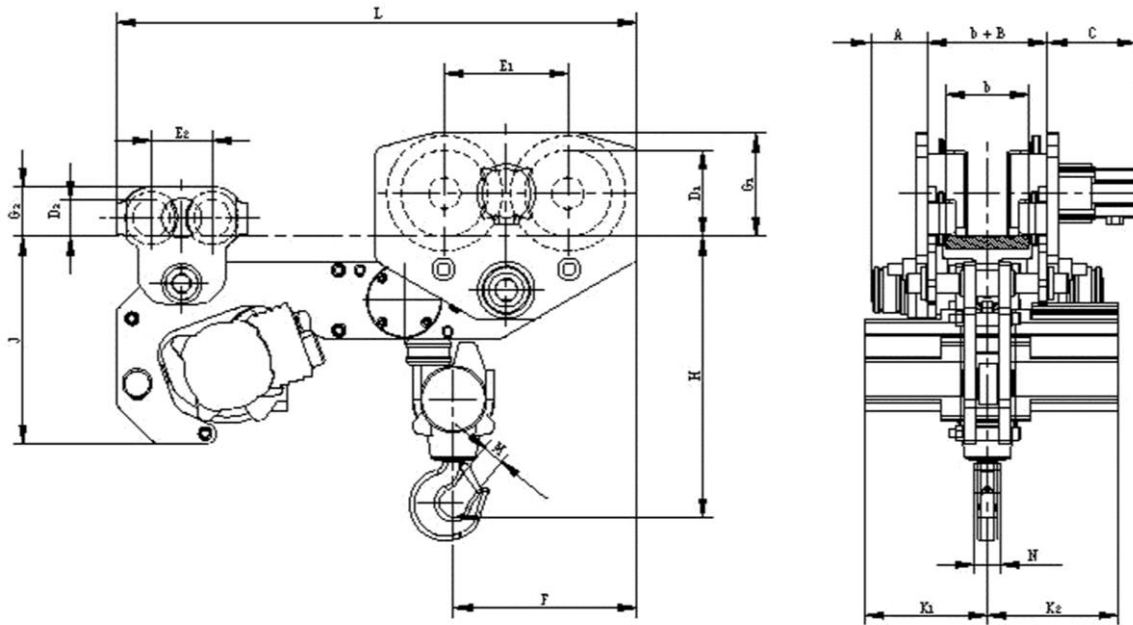
WESTERN AUSTRALIA

Unit 1, 31 Colin Jamieson Drive,
Welshpool WA 6106 Australia
| P +61 8 6253 1000
| F +61 8 9458 9840
| E sales@pacifichoists.com.au

NEW ZEALAND

11 Druces Rd,
Wiri 2104 Auckland New Zealand
| P +64 9 263 5566
| F +64 9 263 5567
| E info@pacifichoists.co.nz

Dimensions (in mm)



Hoists & Trolley Model	PROFI 0.5Ti & LMF 05 - 2t	PROFI 1Ti & LMF 05 - 2t	PROFI 2Ti & LMF 05 - 2t	PROFI 3Ti & LMF 3.2t	PROFI 6Ti & LMF 6.3t
A max.	105	105	105	105	106
B	36	36	36	36	70
b min.	80	80	80	80	125
C	164	164	164	164	169
D ₁	70	70	70	70	165
D ₂	70	70	70	70	70
E ₁	116	116	116	116	236
E ₂	116	116	116	116	116
F	172	172	195	228	351
G ₁	95	95	95	95	197
G ₂	95	95	95	95	95
H min.	320	320	394	415	537
J	320	320	320	397	397
K ₁	145	145	145	233	233
K ₂	152	152	152	248	248
L	715	715	715	825	995
M	28	28	28	30	40
N	42	42	42	42	51
t max.	25	25	25	35	35



The information shown is to be used as a guide only. Specifications are subject to change without notice. All materials handling or lifting jobs should be assessed individually. Pacific Hoists products are NOT to be used for lifting or lowering persons.

HEAD OFFICE

24 Foundry Rd,
Seven Hills NSW 2147 Australia
| P +61 2 8825 6900
| F +61 2 8825 6999
| E sales@pacifichoists.com.au

WESTERN AUSTRALIA

Unit 1, 31 Colin Jamieson Drive,
Welshpool WA 6106 Australia
| P +61 8 6253 1000
| F +61 8 9458 9840
| E sales@pacifichoists.com.au

NEW ZEALAND

11 Druces Rd,
Wiri 2104 Auckland New Zealand
| P +64 9 263 5566
| F +64 9 263 5567
| E info@pacifichoists.co.nz