



Pacific Hoists

VITAL LEVER BLOCKS VR-2 SERIES

Vital is a Japanese brand which is globally recognised for their high quality products. The VR-series lever blocks feature a “lock-in and lock-out” braking system which is the more traditional style with a free-wheeling system requiring the disengagement of the gear drive mechanism which is impossible with any load suspended on it. These lever blocks are ideally suited for the (underground) mining, aerospace and energy industries.

Features

- Manufactured in Japan using optimum high quality steel which conforms to the strict JIS & ISO regulations.
- All Vital models are manufactured to comply with AS1418.2.
- Vital lever blocks can be supplied with overload protection for added security of use (excluding 250kg and 500kg models).
- The unique design of the bottom hook prevents slipping and ensures safe operation.
- Easy two-step operation to prevent accidental free-wheeling.
- Hardened alloy steel load chain with embossed identification, marked as to the relevant standards.
- Load Chain Exceeds Australian Standards with 5:1 Safety Factor.
- The Vital VR-2 series are suitable for tandem lifting applications.

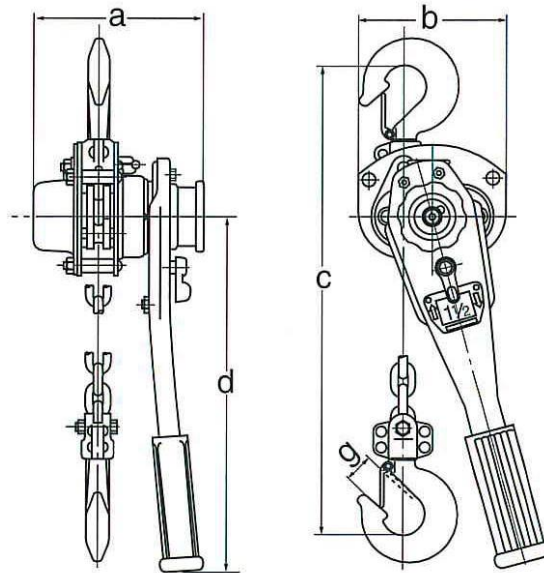


Specifications

MODEL	VR2-08	VR2-15	VR2-30	VR2-60
Stock Code	VLB107	VLB115	VLB130	VLB160
Rated Capacity (tonne)	0.8	1.6	3.2	6.3
Standard Lift Height (m)	1.5	1.5	1.5	1.5
Pull to lift load (kg)	15	18	38	39
Net Weight (kg)	6.9	9.7	16.3	26.7
Chain Size (mm)	6.3	7.1	9.0	9.0
No. of Falls	1	1	1	2

*Vital lever blocks with customised lift heights are available.

Dimensions (in mm)



MODEL	VR2-08	VR2-15	VR2-30	VR2-60
A	148	163	191	191
B	128	148	181	244
C	295	355	405	550
D	260	370	370	370
E	27	34	43	47



The information shown is to be used as a guide only. Specifications are subject to change without notice. All materials handling or lifting jobs should be assessed individually. Pacific Hoists products are NOT to be used for lifting or lowering persons.

HEAD OFFICE

24 Foundry Rd,
Seven Hills NSW 2147 Australia
| P +61 2 8825 6900
| F +61 2 8825 6999
| E sales@pacifichoists.com.au

WESTERN AUSTRALIA

Unit 1, 31 Colin Jamieson Drive,
Welshpool WA 6106 Australia
| P +61 8 6253 1000
| F +61 8 9458 9840
| E sales@pacifichoists.com.au

NEW ZEALAND

11 Druces Rd,
Wiri 2104 Auckland New Zealand
| P +64 9 263 5566
| F +64 9 263 5567
| E info@pacifichoists.co.nz