



# Pacific Hoists

## PACIFIC GIRDER TROLLEYS

Pacific Girder Trolleys feature high quality construction for an economical price. They are available in either a push or geared variety and comply with all relevant Australian Standards.

### Features

- All Pacific girder trolleys are manufactured to comply with AS1418.2.
- Fully adjustable to suit various beam widths.
- Fitted with anti-drop plates for improved safety and compliance.
- High-grade, fully sealed bearings for maintenance free extended life.
- Available with either push or hand geared travel.
- Anti-drop plates as standard for improved safety and compliance.



## Specifications

### Pacific Girder Trolleys (PUSH)

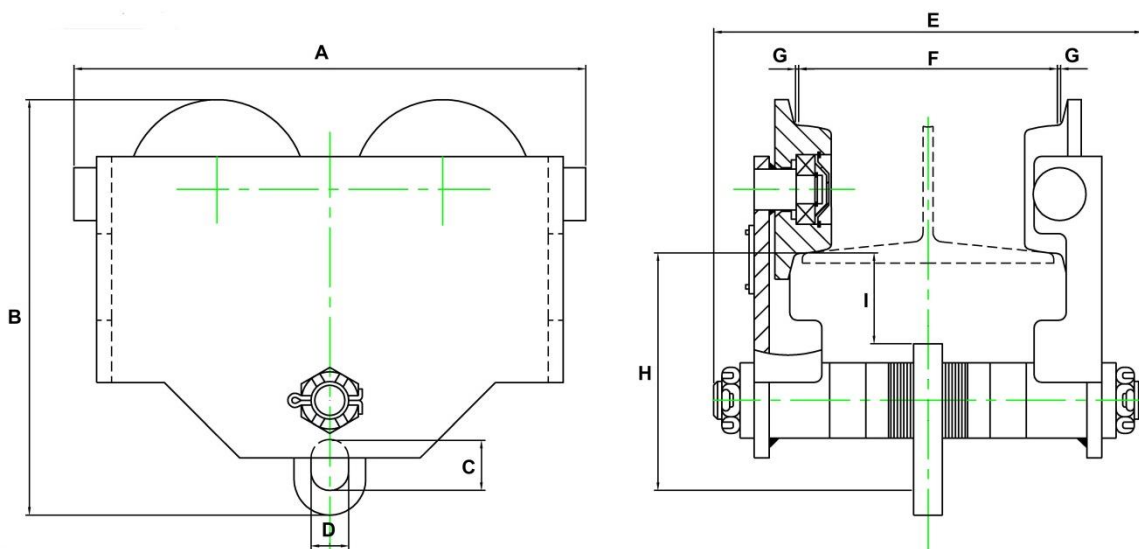
MODEL	PPT305	PPT310	PPT320	PPT330	PPT350	PPT360
Stock Code	PPT305	PPT310	PPT320	PPT330	PPT350	PPT360
Rated Capacity (kg)	500	1000	2000	3000	5000	10000
Pin Configuration	Single	Single	Single	Single	Single	Twin
Min. radius of curve (m)	0.8	1.0	1.1	1.3	1.4	2.0
Net Weight (kg)	6.5	10.5	17.5	27.0	41.0	86.0

### Pacific Girder Trolleys (GEARED)

MODEL	PGT305	PGT310	PGT320	PGT330	PGT350	PGT360
Stock Code	PGT305	PGT310	PGT320	PGT330	PGT350	PGT360
Rated Capacity (kg)	500	1000	2000	3000	5000	10000
Pin Configuration	Single	Single	Single	Single	Single	Twin
Min. radius of curve (m)	0.8	1.0	1.1	1.3	1.4	2.0
Net Weight (kg)	10.5	14.5	21.5	31.0	46.0	91.0

## Dimensions (in mm)

### Pacific Girder Trolleys (PUSH)



The information shown is to be used as a guide only. Specifications are subject to change without notice. All materials handling or lifting jobs should be assessed individually. Pacific Hoists products are NOT to be used for lifting or lowering persons.



#### HEAD OFFICE

24 Foundry Rd,  
Seven Hills NSW 2147 Australia  
| P +61 2 8825 6900  
| F +61 2 8825 6999  
| E sales@pacifichoists.com.au

#### WESTERN AUSTRALIA

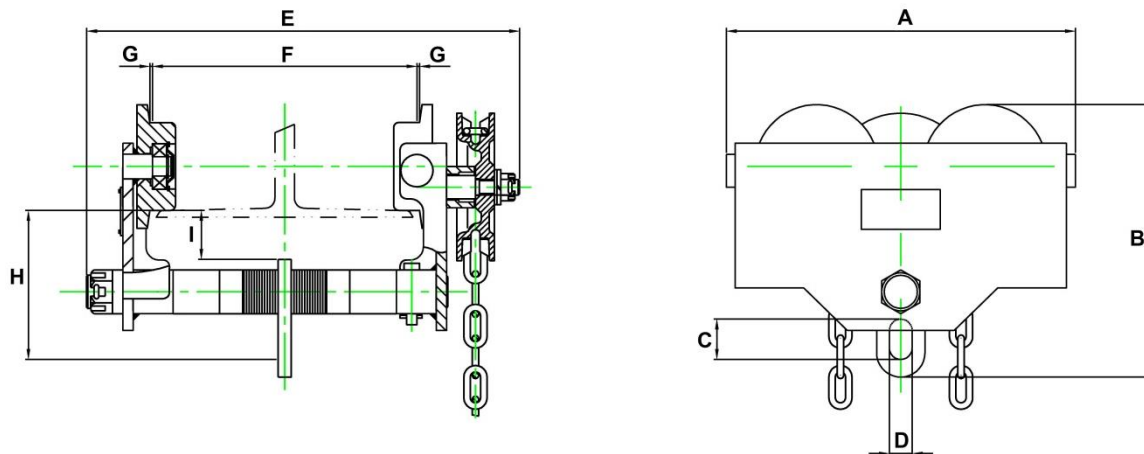
Unit 1, 31 Colin Jamieson Drive,  
Welshpool WA 6106 Australia  
| P +61 8 6253 1000  
| F +61 8 9458 9840  
| E sales@pacifichoists.com.au

#### NEW ZEALAND

11 Druces Rd,  
Wiri 2104 Auckland New Zealand  
| P +64 9 263 5566  
| F +64 9 263 5567  
| E info@pacifichoists.co.nz

MODEL	PPT305	PPT310	PPT320	PPT330	PPT350	PPT360
A	223	270	300	356	405	485
B	188	224	261	308	354	395
C	32	40	52	62	75	110
D	24	30	38	40	50	70
E	244	310	327	342	354	480
F	50 - 152	64 - 203	88 - 203	100 - 203	114 - 203	124 - 305
G	1.5 - 3					
H	105	126.5	146	169	197	188
I	31	38	36	40	42	40

### Pacific Girder Trolleys (GEARED)



MODEL	PGT305	PGT310	PGT320	PGT330	PGT350	PGT360
A	223	270	300	356	405	485
B	188	224	261	308	354	395
C	32	40	52	62	75	110
D	24	30	38	40	50	70
E	273	341	349	362	374	501
F	50 - 152	64 - 203	88 - 203	100 - 203	114 - 203	124 - 305
G	1.5 - 3					
H	105	126.5	146	169	197	188
I	31	38	36	40	42	40



The information shown is to be used as a guide only. Specifications are subject to change without notice. All materials handling or lifting jobs should be assessed individually. Pacific Hoists products are NOT to be used for lifting or lowering persons.

#### HEAD OFFICE

24 Foundry Rd,  
Seven Hills NSW 2147 Australia  
| P +61 2 8825 6900  
| F +61 2 8825 6999  
| E sales@pacifichoists.com.au

#### WESTERN AUSTRALIA

Unit 1, 31 Colin Jamieson Drive,  
Welshpool WA 6106 Australia  
| P +61 8 6253 1000  
| F +61 8 9458 9840  
| E sales@pacifichoists.com.au

#### NEW ZEALAND

11 Druces Rd,  
Wiri 2104 Auckland New Zealand  
| P +64 9 263 5566  
| F +64 9 263 5567  
| E info@pacifichoists.co.nz