



# Pacific Hoists

## JDN ULTRA LOW MONORAIL HOISTS

The JDN Ultra Low Monorail Hoist provides the ideal solution when loads have to be lifted and transported in extremely reduced spaces. As an example; the model with a 6 tonne load capacity features a headroom of only 230mm. The carrying capacity of these models vary from 4 tonne up to 100 tonne, with an air pressure of 6 bar.

### Features

- Manufactured in Germany, under strict quality control with demanding tolerances.
- All JDN models are manufactured to comply with AS1418.2.
- Ideal for applications in explosion risk areas.
- Insensitive to dust, humidity and temperatures ranging from -20 °C up to + 70 °C.
- Extremely low headroom.
- Low air consumption.
- Available with increased spark protection.



## Specifications

Model	UH 4	UH 6	UH 8	UH 12	UH 16
Stock Code	-	JDN806	JDN808	JDN999	-
Rated Capacity (tonne)	4	6	8	12	16
No. of chain strands	2	2	4	4	4
Air Pressure (bar)	6	6	6	6	6
Motor Output (kW)	2.5	2.5	2.5	2.5	2.5
Lifting speed at full load (m/min)	3.0	2.0	1.4	0.9	0.65
Lowering speed at full load (m/min)	7.5	5.2	3.6	2.5	1.5
Air consumption at full load (m <sup>3</sup> /min)	4.0	4.0	4.0	4.0	4.0
Weight with standard lift and control length (kg)	460	470	540	550	560
Chain Dimension (mm)	13 x 36	13 x 36	13 x 36	13 x 36	13 x 36
Weight of 1m chain (kg)	3.8	3.8	3.8	3.8	3.8
Standard Lift (m)	3	3	3	3	3
Length of control at standard load (m)	2	2	2	2	2
Noise level at full load lifting (dB (A))	78	78	78	78	78
Noise level at full load lowering (dB (A))	80	80	80	80	80

\*Capacities up to 100 tonne available on request



### HEAD OFFICE

24 Foundry Rd,  
Seven Hills NSW 2147 Australia  
| P +61 2 8825 6900  
| F +61 2 8825 6999  
| E sales@pacifichoists.com.au

### WESTERN AUSTRALIA

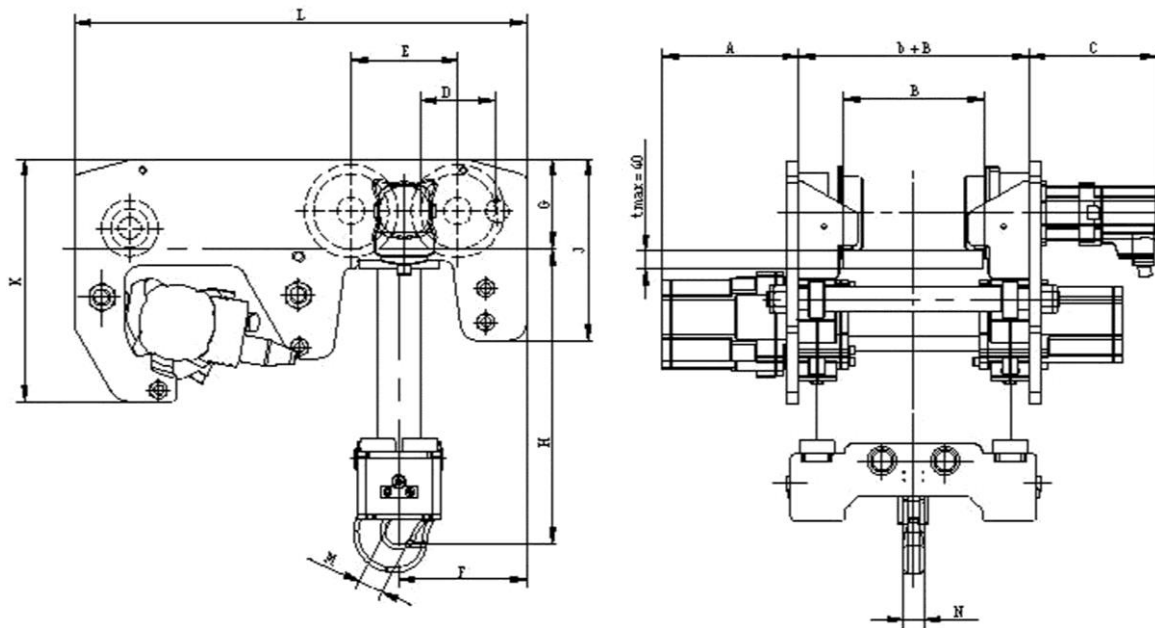
Unit 1, 31 Colin Jamieson Drive,  
Welshpool WA 6106 Australia  
| P +61 8 6253 1000  
| F +61 8 9458 9840  
| E sales@pacifichoists.com.au

### NEW ZEALAND

11 Druces Rd,  
Wiri 2104 Auckland New Zealand  
| P +64 9 263 5566  
| F +64 9 263 5567  
| E info@pacifichoists.co.nz

The information shown is to be used as a guide only. Specifications are subject to change without notice. All materials handling or lifting jobs should be assessed individually. Pacific Hoists products are NOT to be used for lifting or lowering persons.

## Dimensions (in mm)



Model	UH 4	UH 6	UH 8	UH 12	UH 16
A	195	305	195	305	305
B	200	200	200	200	200
C	284	284	284	284	284
D	165	165	165	165	165
E	236	236	236	236	236
F	330	330	283	283	283
G	197.5	197.5	197.5	197.5	197.5
H min. $150 \leq b \leq 310$	230	230	-	-	-
H min. $150 \leq b \leq 230$	-	-	295	295	334
H min. $230 \leq b \leq 310$	-	-	276	276	315
J	400	400	400	400	400
K	535	535	535	535	535
L	1000	1000	1000	1000	1000
M	40	40	44	44	53
N	51	51	66	66	82



The information shown is to be used as a guide only. Specifications are subject to change without notice. All materials handling or lifting jobs should be assessed individually. Pacific Hoists products are NOT to be used for lifting or lowering persons.

### HEAD OFFICE

24 Foundry Rd,  
Seven Hills NSW 2147 Australia  
| P +61 2 8825 6900  
| F +61 2 8825 6999  
| E sales@pacifichoists.com.au

### WESTERN AUSTRALIA

Unit 1, 31 Colin Jamieson Drive,  
Welshpool WA 6106 Australia  
| P +61 8 6253 1000  
| F +61 8 9458 9840  
| E sales@pacifichoists.com.au

### NEW ZEALAND

11 Druces Rd,  
Wiri 2104 Auckland New Zealand  
| P +64 9 263 5566  
| F +64 9 263 5567  
| E info@pacifichoists.co.nz