



# Pacific Hoists

## JDN MINING AIR HOISTS

The JDN M-series are specifically designed for underground mining operations where loads can be lifted, lowered and horizontally pulled. Due to their versatility, they are also suitable for many different industrial applications. The M-series have the same features as the JDN PROFI-series, however; they operate with an air pressure of only 4 bar.

### Features

- Manufactured in Germany, under strict quality control with demanding tolerances.
- All JDN models are manufactured to comply with AS1418.2.
- Patented pre-lube motor design for low maintenance, oil-free operation.
- 100% duty rating and unlimited duty cycle suits all environmental conditions.
- Insensitive to dust, humidity and temperatures ranging from -20 °C up to + 70 °C.
- ATEX–approved models available, suitable for application in dangerous and explosive environments
- Fail-safe brake, in case of air supply failure.
- Cast iron housing suitable for severe conditions.
- Easy operation and low maintenance design.
- Two chain falls for operation in both directions.
- Specially designed for horizontal and vertical moving of loads.

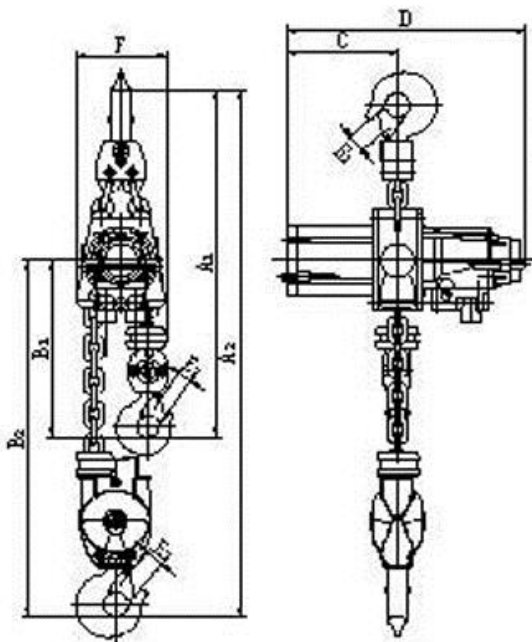


## Specifications

Model	M64	M63D
Stock Code	JDN991	JDN990
Rated Capacity (tonne)	1 - 2	3 - 6
Weight with standard 3m lift (kg)	60	100
No. of chain strands	1 - 2	1 - 2
Motor Output (kW)	0.77	1.3
Chain Dimension (mm)	9 x 27	13 x 36
Air Pressure (bar)	4	4
Air Consumption at full load (m <sup>3</sup> /min)		
Lifting	1.0	2.2
Lowering	2.0	3.2
Air Connection	Rd 32 x 1/8"	Rd 32 x 1/8"
Lifting speed at full load (m/min)	3 – 1.5	2.2 – 1.1
Lowering speed at full load (m/min)	12.5 – 6.5	6 - 3

\* Custom lift heights available. Weight based on standard model.  
Lifting speed at 2m length of control. Longer control hoses decrease the lifting speeds.

## Dimensions (in mm)



Model	M64	M63D
A <sub>1</sub> (smallest headroom with 1/1 chain strands)	603	750
A <sub>2</sub> (smallest headroom with 1/2 chain strands)	660	870
B <sub>1</sub> (with 1/1 chain strands)	313	370
B <sub>2</sub> (with 1/2 chain strands)	370	490
C	175	237
D	375	507
E <sub>1</sub> (Hook opening)	30	40
E <sub>2</sub> (Hook opening)	30	40
E <sub>3</sub> (Hook opening)	30	30
F (maximum width)	144	195



The information shown is to be used as a guide only. Specifications are subject to change without notice. All materials handling or lifting jobs should be assessed individually. Pacific Hoists products are NOT to be used for lifting or lowering persons.

### HEAD OFFICE

24 Foundry Rd,  
Seven Hills NSW 2147 Australia  
| P +61 2 8825 6900  
| F +61 2 8825 6999  
| E sales@pacifichoists.com.au

### WESTERN AUSTRALIA

Unit 1, 31 Colin Jamieson Drive,  
Welshpool WA 6106 Australia  
| P +61 8 6253 1000  
| F +61 8 9458 9840  
| E sales@pacifichoists.com.au

### NEW ZEALAND

11 Druces Rd,  
Wiri 2104 Auckland New Zealand  
| P +64 9 263 5566  
| F +64 9 263 5567  
| E info@pacifichoists.co.nz