



Pacific Hoists

JDN MINI AIR HOISTS

The JDN Mini Series widens the range of applications in the light duty sector as a handy, flexible and light-weight hoist. The optional Mini Manipulator can be used to lift, lower, traverse and position loads in an easy, manual manner. The carrying capacities vary from 125kg to 980kg, with the 125kg model and the 250kg available with optional travel case.

Features

- Manufactured in Germany, under strict quality control with demanding tolerances.
- All JDN models are manufactured to comply with AS1418.2.
- Patented pre-lube motor design for low maintenance, oil-free operation.
- 100% duty rating and unlimited duty cycle suits all environmental conditions.
- Only six atmospheres of compressed air required.
- Insensitive to dust, humidity and temperatures ranging from -20 °C up to + 70 °C.
- ATEX–approved models available, suitable for application in dangerous and explosive environments.
- Also suitable for horizontal pulling.
- Self-cooling economic air motor which will not overheat.
- Fail-safe brake, in case of air supply failure.
- Wear resistant motor braking system.
- Extremely sensitive lever control with emergency shut-off valve; maximum control length is 6 metres.
- Price competitive alternative when compared to other types of powered hoists.
- Easy operation and low maintenance design.
- Lightweight for easy handling.



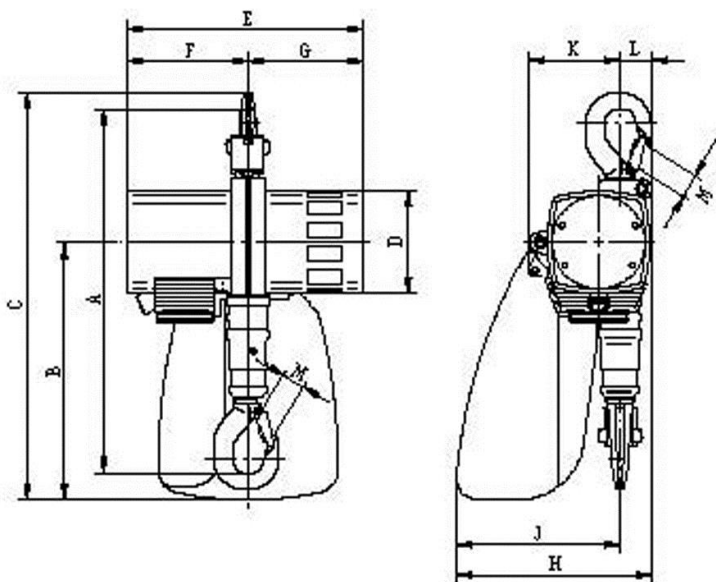
Specifications

Model	MINI125	MINI250	MINI500	MINI1000
Stock Code	JDN123	JDN253	JDN503	JDN603
Rated Capacity (kg)	125	250	500	980
Weight with standard 3m lift (kg)	9.5	10.5	21	23
No. of chain strands	1	1	1	1
Motor Output (kW)	0.4	0.4	1	1
Chain Dimension (mm)	4 x 12	4 x 12	7 x 21	7 x 21
Air Pressure (bar)	6	6	6	6
Air Consumption at full load (m ³ /min)				
Lifting	0.5	0.5	1.2	1.2
Lowering	0.7	0.7	1.6	1.6
Air Connection	G $\frac{3}{8}$	G $\frac{3}{8}$	G $\frac{1}{2}$	G $\frac{1}{2}$
Lifting speed at full load (m/min)	15	8	10	5
Lowering speed at full load (m/min)	30	16	18	10

* Custom lift heights available. Weight and headroom based on mini standard model with pendant control and chain bucket.

** Pneumatic trolleys and cord controls not available for this range.

Dimensions (in mm)



Model	MINI125	MINI250	MINI500	MINI1000
A	328	328	458	458
B	232	232	316	316
C	367	367	505	505
D	92	92	122	122
E	213	213	292	292
F	109	109	148	148
G	104	104	144	144
H	177	177	234	234
J	148	148	194	194
K	83	83	119	119
L	29	29	40	40
M	19	19	28	28



The information shown is to be used as a guide only. Specifications are subject to change without notice. All materials handling or lifting jobs should be assessed individually. Pacific Hoists products are NOT to be used for lifting or lowering persons.

HEAD OFFICE

24 Foundry Rd,
Seven Hills NSW 2147 Australia
| P +61 2 8825 6900
| F +61 2 8825 6999
| E sales@pacifichoists.com.au

WESTERN AUSTRALIA

Unit 1, 31 Colin Jamieson Drive,
Welshpool WA 6106 Australia
| P +61 8 6253 1000
| F +61 8 9458 9840
| E sales@pacifichoists.com.au

NEW ZEALAND

11 Druces Rd,
Wiri 2104 Auckland New Zealand
| P +64 9 263 5566
| F +64 9 263 5567
| E info@pacifichoists.co.nz