



Pacific Hoists

JDN HYDRAULIC MONORAIL HOISTS

The JDN Hydraulic Monorail Hoists can be deployed as an alternative to air driven units in all situations where hydraulic lines, central hydraulic systems or hydraulic power supplies exist. The carrying capacities vary from 3 tonne up to 100 tonne and depending on the motor size; these hoists work with an intake pressure of 100 bar up to 180 bar.

Features

- Manufactured in Germany, under strict quality control with demanding tolerances.
- All JDN models are manufactured to comply with AS1418.2.
- Ideal for applications in explosion risk areas.
- Sensitive, infinitely variable speed control of lifting / lowering and travelling motions.
- Extremely low noise emissions
- Fully enclosed highly robust gear motor.
- Integrated overload protection.
- Only two supply connections at hoist “P” and “T”, leakage oil drained internally.
- Controlled load-lowering up to 20 tonne carrying capacities in the event of oil supply failure.



Specifications

JDN Hydraulic PROFI Hoists (available up to 100 tonne)

Model	3 TI-H	6 TI-H	10 TI-H	16 TI-H	20 TI-H
Stock Code	-	-	-	-	-
Rated Capacity (tonne)	3.2	6.3	10	16	20
No. of chain strands	1	2	2	3	4
Motor Type	KM 1/16	KM 1/16	KM 1/16	KM 1/16	KM 1/16
Motor Power (kW)	3.5	3.5	3.5	3.5	3.5
Intake Pressure (bar)	130	130	130	130	130
Intake Volume (l/min)	48	48	48	48	48
Lifting speed at full load (m/min)	4.0	2.0	1.7	1.1	0.8
Lowering speed at full load (m/min)	4.5	2.3	2.1	1.5	1.0
Weight with standard lift height (kg)	90	114	160	244	289
Chain Dimension (mm)	13 x 36	13 x 36	16 x 45	16 x 45	16 x 45
Weight of chain (kg/m)	3.8	3.8	5.8	5.8	5.8
Standard Lift (m)	3	3	3	3	3
Length of control as standard lift (m)	2	2	2	2	2

JDN Hydraulic Monorail Hoists

Model	EH 20-H	EH 25-H	EH 37-H	EH 50-H	EH 75-H	EH 100-H
Stock Code	JDN810	-	-	JDN850	-	-
Rated Capacity (tonne)	20	25	37.5	50	75	100
No. of chain strands	4	2	3	4	3	4
Motor Type – Trolley	KM 1/16	KM 1/16	KM 1/16	KM 1/16	KM 1/16	KM 1/16
Motor Type – Hoist	KM 1/8 – KM 1/16	KM 2/32	KM 2/32	KM 2/32	KM 2/32	KM 2/32
Motor Output – Trolley (kW)	0.7	1.4	1.4	1.4	2.8	2.8
Motor Output – Hoist (kW)	3.5	6	6	6	10	10
Intake Pressure (bar)	160 / 100	150	150	150	180	180
Lifting speed at full load (m/min)	0.8	1.1	0.7	0.5	0.7	0.55
Lowering speed at full load (m/min)	0.9	1.2	0.8	0.6	0.8	0.6
Travelling Speed	12	12	12	12	12	12
Connection	G½	G¾	G¾	G¾	G¾	G¾
Hose Dimension	DN 12	DN 16	DN 16	DN 16	DN 16	DN 16
Weight with standard lift height (kg)	720	1050	1550	1880	4100	5800
Chain Dimension (mm)	16 x 45	23.5 x 66	23.5 x 66	23.5 x 66	32 x 90	32 x 90
Weight of chain (kg/m)	5.8	12.2	12.2	12.2	21.3	21.3
Standard Lift (m)	3	3	3	3	3	3



The information shown is to be used as a guide only. Specifications are subject to change without notice. All materials handling or lifting jobs should be assessed individually. Pacific Hoists products are NOT to be used for lifting or lowering persons.

HEAD OFFICE

24 Foundry Rd,
Seven Hills NSW 2147 Australia
| P +61 2 8825 6900
| F +61 2 8825 6999
| E sales@pacifichoists.com.au

WESTERN AUSTRALIA

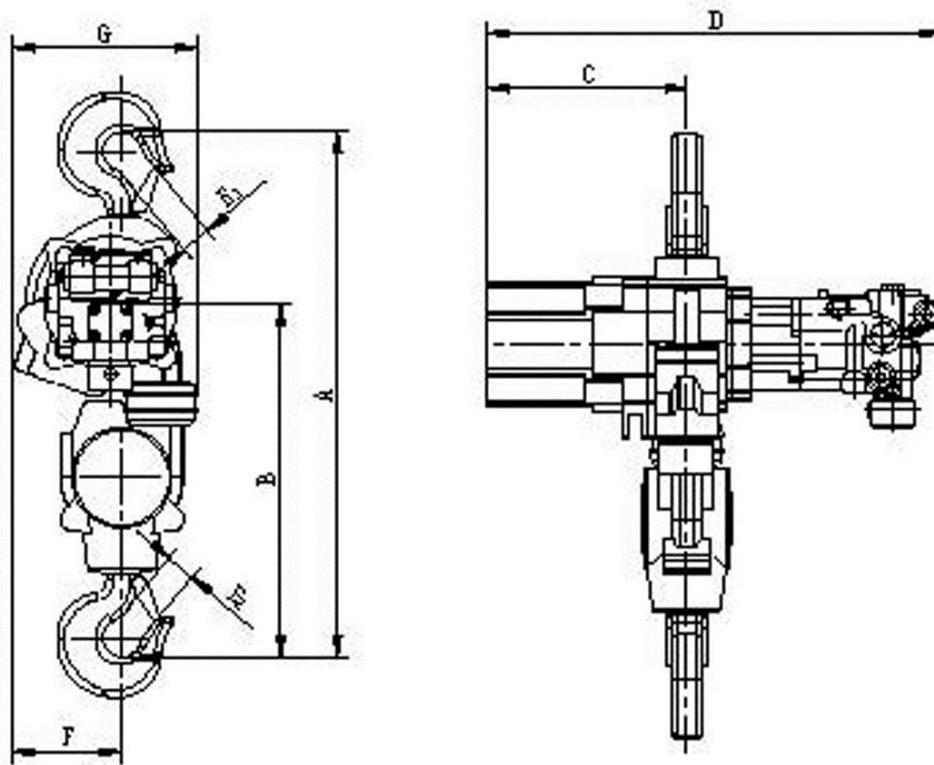
Unit 1, 31 Colin Jamieson Drive,
Welshpool WA 6106 Australia
| P +61 8 6253 1000
| F +61 8 9458 9840
| E sales@pacifichoists.com.au

NEW ZEALAND

11 Druces Rd,
Wiri 2104 Auckland New Zealand
| P +64 9 263 5566
| F +64 9 263 5567
| E info@pacifichoists.co.nz

Dimensions (in mm)

JDN Hydraulic PROFI Hoists



Model	3 TI-H	6 TI-H	10 TI-H	16 TI-H	20 TI-H
A (smallest headroom ¹)	593	674	813	898	1030
B	373	454	548	598	670
C	233	233	308	382	382
D	578	578	670	787	787
E ₁	40	40	44	53	75
E ₂	30	40	44	53	75
F	187	154	197	199	180

¹Chain buckets increase the hoist headroom



The information shown is to be used as a guide only. Specifications are subject to change without notice. All materials handling or lifting jobs should be assessed individually. Pacific Hoists products are NOT to be used for lifting or lowering persons.

HEAD OFFICE

24 Foundry Rd,
Seven Hills NSW 2147 Australia
| P +61 2 8825 6900
| F +61 2 8825 6999
| E sales@pacifichoists.com.au

WESTERN AUSTRALIA

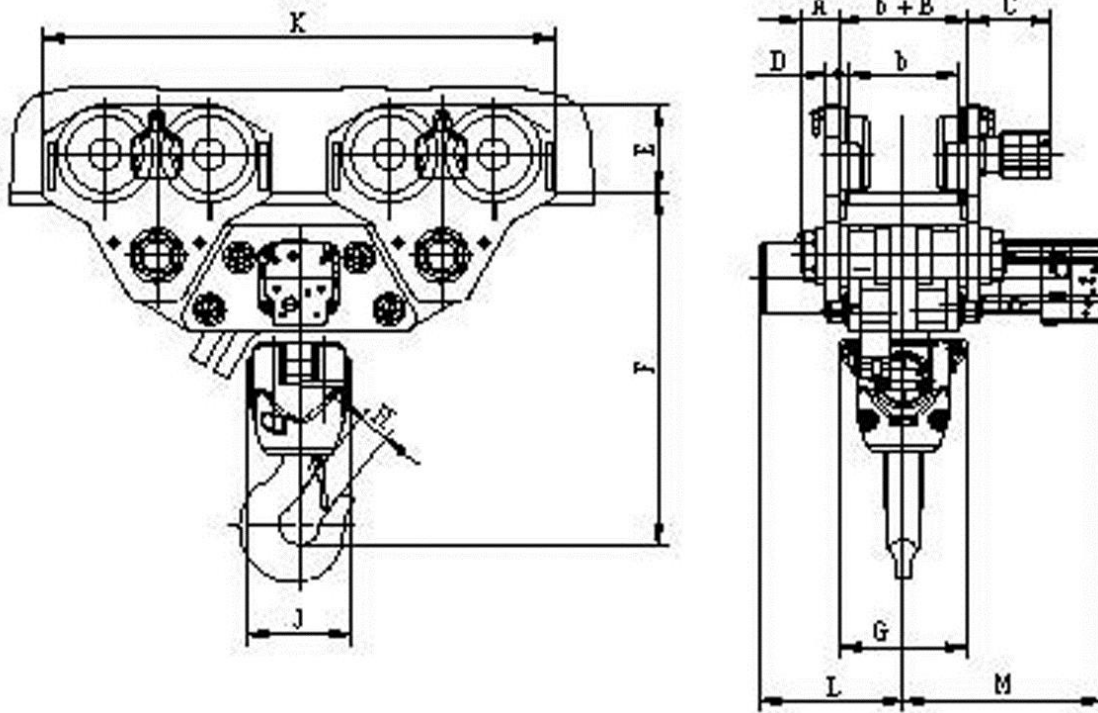
Unit 1, 31 Colin Jamieson Drive,
Welshpool WA 6106 Australia
| P +61 8 6253 1000
| F +61 8 9458 9840
| E sales@pacifichoists.com.au

NEW ZEALAND

11 Druces Rd,
Wiri 2104 Auckland New Zealand
| P +64 9 263 5566
| F +64 9 263 5567
| E info@pacifichoists.co.nz

Dimensions continued (in mm)

JDN Hydraulic Monorail Hoists



Model	EH 20-H	EH 25-H	EH 37-H	EH 50-H	EH 75-H	EH 100-H
A	130	146	146	125	100	125
B	68	70	70	68	68	68
C	267	257	267	272	267	272
D	35	25	25	40	35	40
E	220	198	220	283	220	283
F ¹	820	998	1070	1150	1480	1535
G	200	170	190	420	286	575
H	75	75	100	100	120	120
J	266	350	455	340	740	470
K	600	1185	1730	1680	3210	3130
L	367	377	377	462	640	762
M	420	562	562	687	670	765

¹Chain buckets increase the hoist headroom



The information shown is to be used as a guide only. Specifications are subject to change without notice. All materials handling or lifting jobs should be assessed individually. Pacific Hoists products are NOT to be used for lifting or lowering persons.

HEAD OFFICE

24 Foundry Rd,
Seven Hills NSW 2147 Australia
| P +61 2 8825 6900
| F +61 2 8825 6999
| E sales@pacifichoists.com.au

WESTERN AUSTRALIA

Unit 1, 31 Colin Jamieson Drive,
Welshpool WA 6106 Australia
| P +61 8 6253 1000
| F +61 8 9458 9840
| E sales@pacifichoists.com.au

NEW ZEALAND

11 Druces Rd,
Wiri 2104 Auckland New Zealand
| P +64 9 263 5566
| F +64 9 263 5567
| E info@pacifichoists.co.nz