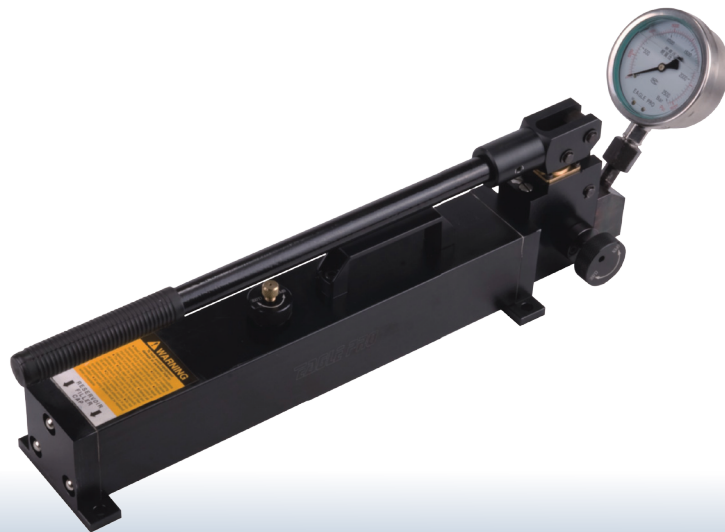


Features for PHP Series Hand Pumps

1. Single or double acting hand pumps made of high strength alloy steel; corrosion resistant and engineered for extreme environments
2. Compact design for storage and transportation
3. Built in safety valve
4. User-friendly design
5. Compatible with various cylinders and tools



Features for PHP Series Ultra High Pressure Hand Pump

1. Alloy construction - lightweight, corrosion resistant and suitable for harsh conditions
2. Two speed action with automatic change-over
3. During low pressure a greater flow is provided to save the operating time which will increase working efficiency
4. Built-in safety valve which provides safe dual protection

Specifications

PHP Series Hand Pumps

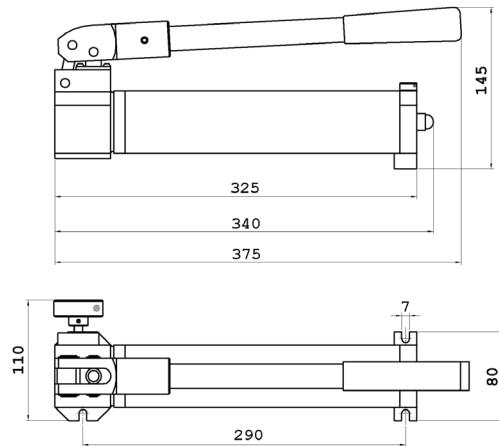
Product Code	PHP005	PHP002N	PHP004N
Speed	2 stage	2 stage	2 stage
Used with Cylinder	Single acting	Single acting	Double acting
Oil Capacity (cm3)	500	750	2300
Pressure Rating (bar)	1st Stage	13	25
	2nd Stage	700	700
Oil Output per Stroke (cm3)	1st Stage	7.8	33.0
	2nd Stage	0.8	3.3
Handle Force (kg)	35	49	49
Oil Output Thread	3/8 - 18 NPT	3/8 - 18 NPT	3/8 - 18 NPT
Weight (kg)	2.2	7.3	11.6

PHP Series Ultra High Pressure Hand Pump

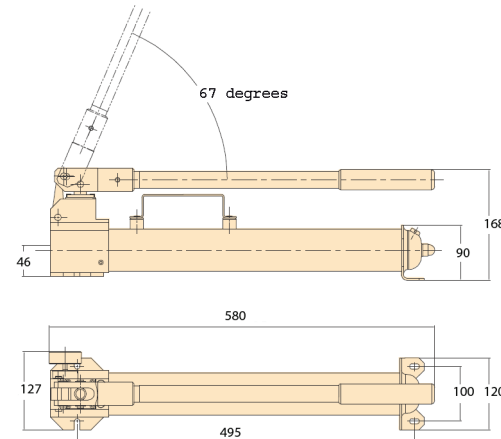
Product Code	PHP504	
Speed	2 stage	
Used with Cylinder	Single acting	
Oil Capacity (cm3)	1600	
Pressure Rating (bar)	1st Stage	20
	2nd Stage	1500
Oil Output per Stroke (cm3)	1st Stage	26
	2nd Stage	1.6
Handle Force (kg)	42	
Oil Output Thread	1/4" BSP	
Weight (kg)	9.5	

Dimensions

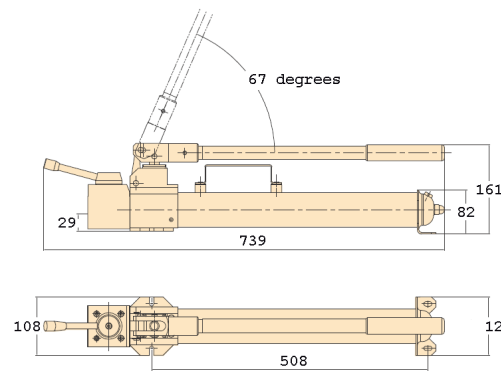
PHP005 Hand Pump



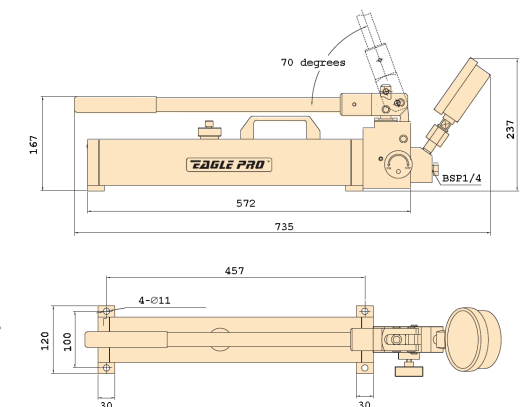
PHP002N Hand Pump



PHP004N Hand Pump



PHP504 Hand Pump



The information contained in this brochure is to be used as a guide only, specifications are subject to change without notice.

Head Office 24 Foundry Road Seven Hills NSW 2147 P +61 2 8825 6900 F +61 2 8825 6999

Perth Unit 1, 31 Colin Jamieson Drive Welshpool WA 6106 P +61 8 6253 1000 F + 61 8 9458 9840

Auckland 11 Druces Road Manukau City South Auckland P+ 64 9263 5566 F + 64 9263 5567