

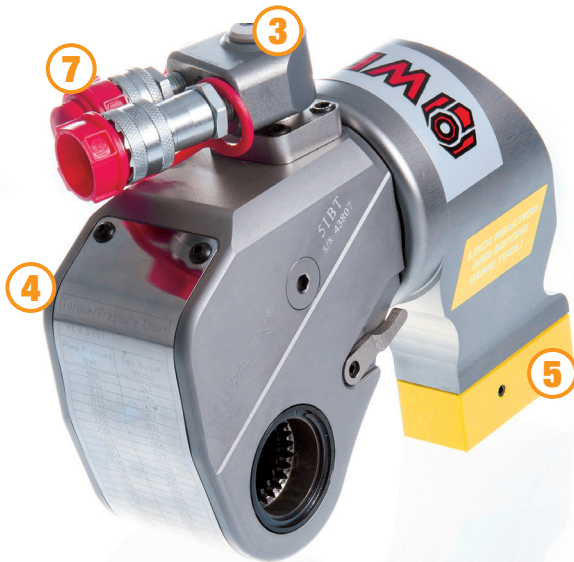


## Hydraulic Equipment

COMPLETE HYDRAULIC SOLUTION

# Hydraulic Torque Wrench Square Drive

→ IBT Series



### Features + Benefits

**IBT Series range is precision engineered for safe, reliable and flexible performance in the toughest environments.**

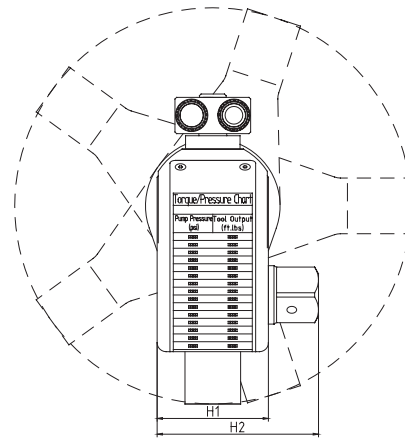
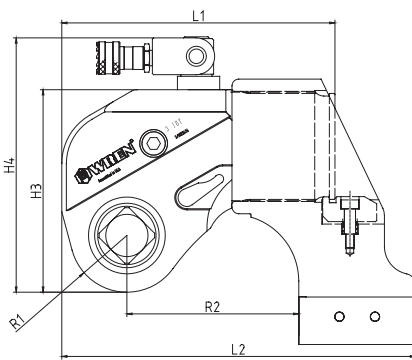
- 1** Precision engineered with a maximum working pressure of 700 Bar (10,000 Psi) with an accuracy of +/- 3%; delivering reliable and accurate performance.
- 2** A complete range comprising of 10 models with torque capacities from 112 Nm to 72,000 Nm; covering bolt sizes from 14mm to 125mm.
- 3** 360°/180° swivel operation provides greater flexibility for use in a wide variety of applications.
- 4** The square drive is designed to operate with our Chromium Molybdenum high tensile strength sockets; providing long life, safe and reliable performance. Laser-etched torque guide provided.
- 5** A 360° detachable reaction arm allows for safe positioning and operation.
- 6** Compact lightweight design made from high technology Aluminium-Titanium alloy, which makes the IBT Series range easy and safe to use.
- 7** Fitted with the latest CEJN hose coupling systems, suitable for safe connections to 700 Bar hose fittings; providing greater flexibility and compatibility with many 700 Bar hydraulic systems.

The IBT Series range of torque wrenches utilises the latest designs and is made to the highest engineering standards providing a safe and versatile system. Manufactured from the latest alloys, the IBT Series range is built to last and to provide a lifetime of service. These torque wrenches are suitable for continuous use at maximum pressure; improving work efficiency and performance. The range of 10 models is one of the largest ranges available; covering torques from 112 Nm to 72,000 Nm and covers most bolt sizes in the Australasian market. The IBT Series range is backed up by a full warranty and spare parts service.

# Hydraulic Torque Wrench Square Drive

→ IBT Series

## Technical Specification



TYPE	07IBT	1IBT	3IBT	5IBT	8IBT	10IBT	20IBT	25IBT	35IBT	50IBT
Torque (Nm)	112~1120	183~1837	451~4512	752~7528	1078~10780	1551~15516	2666~26664	3472~34725	4866~48666	7200~72000
Bolt size (M)	14~30	16~36	22~48	27~56	30~64	36~72	42~90	48~100	64~120	72~125
Weight (kg)	1.8	2.5	5	8	11	15	26.5	35	50	87
L1	110.8	144.5	178	210.5	222	245.5	307.5	323	372.5	400
L2	139.3	173.5	229	270.5	293	317.5	383.5	401	496.5	516
H1	42	50	68	80	90	100	120	137	153	160
H2	65.8	72	95	123	134	142	183	200	216	223
H3	76.2	96	127	149	167	182	220	247	282	291
H4	108.1	131	176.5	199	217	232	270	297	332	341
R1	20.5	26	34	39	47	51	59	66	77	81
R2	68.3	85	114	137	153	154	186	199	241	259
Square drive	3/4"	3/4"	1"	1-1/2"	1-1/2"	1-1/2"	2-1/2"	2-1/2"	2-1/2"	2-1/2"



### HEAD OFFICE

24 Foundry Rd,  
Seven Hills NSW 2147 Australia  
**I P** +61 2 8825 6900  
**I F** +61 2 8825 6999  
**I E** sales@pacifichoists.com.au

### WESTERN AUSTRALIA

Unit 1, 31 Colin Jamieson Drive,  
Welshpool WA 6106  
**I P** +61 8 6253 1000  
**I F** +61 8 9458 9840  
**I E** sales@pacifichoists.com.au

### QUEENSLAND

5/54 Nealdon Drive,  
Meadowbrook QLD 4131  
**I P** +61 7 3170 3800  
**I F** +61 7 3170 3811  
**I E** sales@pacifichoists.com.au

### NEW ZEALAND

11 Druces Rd,  
Manukau City 2104 Auckland  
**I P** +64 9 263 5566  
**I F** +64 9 263 5567  
**I E** info@pacifichoists.co.nz