



Hydraulic Equipment

COMPLETE HYDRAULIC SOLUTION

Hydraulic Torque Wrench Low Profile

→ Low Series



Features + Benefits

The Low Series range of low profile torque wrenches is precision engineered for safe, reliable and flexible performance in those hard to get to areas.

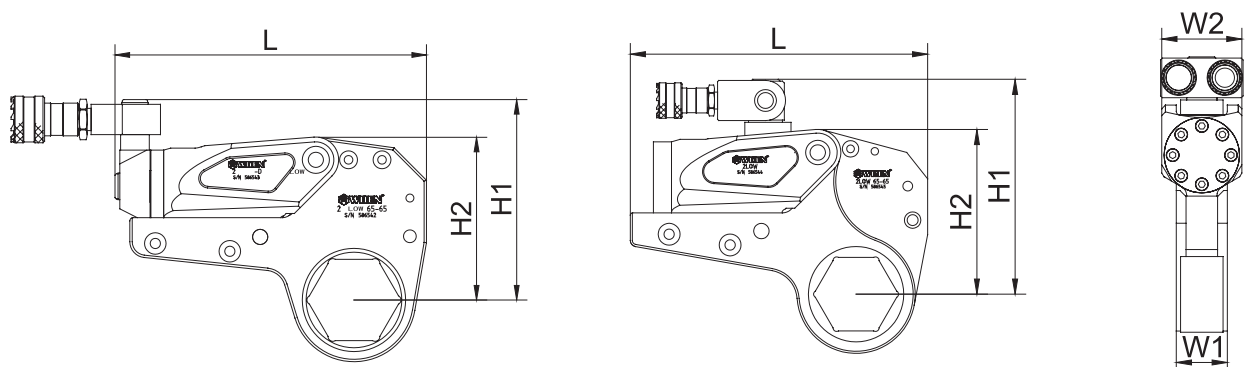
- 1 Precision engineered with a maximum working pressure of 700 Bar (10,000 Psi) with an accuracy of +/- 3%; delivering reliable and accurate performance.
- 2 A complete range comprising of 5 models with torque capacities from 232 Nm to 44,593 Nm; covering bolt sizes from 19mm to 175mm.
- 3 360°/180° swivel operation provides greater flexibility for use in a wide variety of applications.
- 4 The Low Series is designed to operate with our Chromium Molybdenum high strength hexagonal cassette and range of reducers; providing long life, safe and reliable performance.
- 5 Compact lightweight design made from high technology Aluminium-Titanium alloy which makes the Low Series range easy and safe to use. Suitable for use in areas with low height clearances.
- 6 Fitted with the latest CEJN hose coupling systems suitable for safe connections to 700 Bar hose fittings; providing greater flexibility and compatibility with many 700 Bar hydraulic systems.

The Low Series range of low profile torque wrenches utilises the latest designs and is made to the highest engineering standards; providing a safe and versatile system. Manufactured from the latest alloys this low profile range is built to last and to provide a lifetime of service. Torque wrenches are suitable for continuous use at maximum pressure; improving work efficiency and performance. The Low Series range of 5 models is one of the largest ranges available; covering torques from 232 Nm to 44,593 Nm and covers most bolt sizes in the Australasian market. The Low Series range is backed up by a full warranty and spare parts service.

Hydraulic Torque Wrench Low Profile

→ Low Series

Technical Specification



MODEL	TORQUE RANGE (Nm)	BOLT WIDTH ACROSS FLATS RANGE (mm)	POWER HEAD WEIGHT(kg)	WORK HEAD WEIGHT (kg)	DIMENSION (MM)				
					L	H1	H2	W1	W2
2LOW	232-2328	19-55	1	1.6	196.4	125.9	102.3	32	51
	241-2414	60	1	1.7	196.4	128.5	105	32	51
4LOW	585-5858	34-65	2	4.4	245	177	135.7	42	66
	647-6474	70-80	2	4.6	246	187	145.7	42	66
8LOW	1094-10941	41-95	3.3	8	300	207	169	53	83
	1177-11774	100-105	3.3	8.4	301	216	178	53	83
14LOW	1852-18521	50-117	5.5	11.6	361	239	204	64	99
30LOW	4188-41882	110-155	11.4	29	430	303	272	85	131
	4459-44593	160-175	11.4	30	441	315	285	85	131

HEAD OFFICE

24 Foundry Rd,
Seven Hills NSW 2147 Australia
| P +61 2 8825 6900
| F +61 2 8825 6999
| E sales@pacifichoists.com.au

WESTERN AUSTRALIA

Unit 1, 31 Colin Jamieson Drive,
Welshpool WA 6106
| P +61 8 6253 1000
| F +61 8 9458 9840
| E sales@pacifichoists.com.au

QUEENSLAND

5/54 Nealdon Drive,
Meadowbrook QLD 4131
| P +61 7 3170 3800
| F +61 7 3170 3811
| E sales@pacifichoists.com.au

NEW ZEALAND

11 Druces Rd,
Manukau City 2104 Auckland
| P +64 9 263 5566
| F +64 9 263 5567
| E info@pacifichoists.co.nz

