



Hydraulic Equipment

COMPLETE HYDRAULIC SOLUTION

Hexagon Cassette

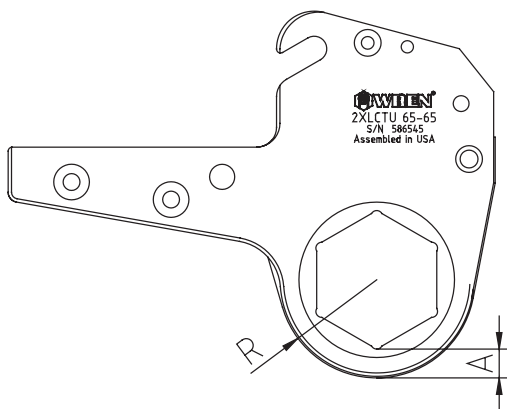
→ Low Series



Features + Benefits

Designed for use with the low series power head the low profile hexagon cassette range is precision engineered to provide a flexible tool for use in tight spaces. The quick connect / release cassette system provides a safe and user-friendly system for use in a wide variety of applications. Reducer sleeves are available; allowing each cassette to be used for a range of different sizes.

- 1 Unique low profile design for use in areas with low height clearance.
- 2 Unique reducer system to provide greater flexibility and a range of sizes for each cassette.
- 3 Full range of cassettes available; covering nut sizes from 19mm to 175mm.
- 4 Precision engineered for long life.
- 5 Quick connect and release system for ease of use.



Every Low Series power head covers a range of cassette sizes, when selecting the correct cassette ensure that the clearance around the nut head is sufficient for the chosen cassette. The selection table provides the clearance "A" and radial dimensions "R" for quick reference.

Hexagon Cassette

→ Low Series

Technical Specification

| 2LOW | | | |
|---------|----------------|----|-------------|
| MODEL | Dimension (mm) | | MAX. TORQUE |
| | R | A | |
| 2LOW-19 | 27 | 16 | 2328 |
| 2LOW-22 | 27 | 14 | 2328 |
| 2LOW-27 | 27 | 11 | 2328 |
| 2LOW-30 | 29 | 12 | 2328 |
| 2LOW-32 | 29 | 11 | 2328 |
| 2LOW-34 | 31 | 11 | 2328 |
| 2LOW-36 | 31 | 10 | 2328 |
| 2LOW-41 | 34 | 10 | 2328 |
| 2LOW-46 | 37 | 10 | 2328 |
| 2LOW-50 | 40 | 11 | 2328 |
| 2LOW-55 | 43 | 11 | 2328 |
| 2LOW-60 | 46 | 11 | 2414 |

| 4LOW | | | |
|---------|----------------|----|-------------|
| MODEL | Dimension (mm) | | MAX. TORQUE |
| | R | A | |
| 4LOW-34 | 36 | 16 | 5858 |
| 4LOW-36 | 36 | 15 | 5858 |
| 4LOW-41 | 39 | 15 | 5858 |
| 4LOW-46 | 42 | 15 | 5858 |
| 4LOW-50 | 44 | 15 | 5858 |
| 4LOW-55 | 46 | 14 | 5858 |
| 4LOW-60 | 50 | 15 | 5858 |
| 4LOW-65 | 53 | 15 | 5858 |
| 4LOW-70 | 56 | 15 | 6474 |
| 4LOW-75 | 59 | 15 | 6474 |
| 4LOW-80 | 61 | 15 | 6474 |

| 30LOW | | | |
|-----------|----------------|----|-------------|
| MODEL | Dimension (mm) | | MAX. TORQUE |
| | R | A | |
| 30LOW-85 | 78 | 28 | 41882 |
| 30LOW-90 | 78 | 27 | 41882 |
| 30LOW-95 | 83 | 28 | 41882 |
| 30LOW-100 | 83 | 25 | 41882 |
| 30LOW-105 | 89 | 28 | 41882 |
| 30LOW-110 | 89 | 25 | 41882 |
| 30LOW-115 | 95 | 28 | 41882 |
| 30LOW-117 | 95 | 27 | 41882 |
| 30LOW-120 | 95 | 25 | 41882 |
| 30LOW-125 | 101 | 29 | 41882 |
| 30LOW-130 | 101 | 26 | 41882 |
| 30LOW-135 | 104 | 26 | 41882 |
| 30LOW-140 | 110 | 29 | 41882 |
| 30LOW-145 | 110 | 26 | 41882 |
| 30LOW-150 | 116 | 29 | 41882 |
| 30LOW-155 | 116 | 26 | 41882 |
| 30LOW-160 | 128 | 36 | 44593 |
| 30LOW-165 | 128 | 33 | 44593 |
| 30LOW-170 | 128 | 30 | 44593 |
| 30LOW-175 | 128 | 27 | 44593 |

| 8LOW | | | |
|----------|----------------|----|-------------|
| MODEL | Dimension (mm) | | MAX. TORQUE |
| | R | A | |
| 8LOW-41 | 46 | 22 | 10941 |
| 8LOW-46 | 46 | 19 | 10941 |
| 8LOW-50 | 46 | 17 | 10941 |
| 8LOW-55 | 50 | 18 | 10941 |
| 8LOW-60 | 52 | 17 | 10941 |
| 8LOW-65 | 55 | 17 | 10941 |
| 8LOW-70 | 58 | 17 | 10941 |
| 8LOW-75 | 60 | 17 | 10941 |
| 8LOW-80 | 63 | 16 | 10941 |
| 8LOW-85 | 66 | 16 | 10941 |
| 8LOW-90 | 69 | 17 | 10941 |
| 8LOW-95 | 71 | 16 | 10941 |
| 8LOW-100 | 75 | 17 | 11774 |
| 8LOW-105 | 78 | 17 | 11774 |

| 14LOW | | | |
|-----------|----------------|----|-------------|
| MODEL | Dimension (mm) | | MAX. TORQUE |
| | R | A | |
| 14LOW-50 | 60 | 31 | 18521 |
| 14LOW-55 | 60 | 28 | 18521 |
| 14LOW-60 | 60 | 25 | 18521 |
| 14LOW-65 | 60 | 22 | 18521 |
| 14LOW-70 | 60 | 19 | 18521 |
| 14LOW-75 | 63 | 19 | 18521 |
| 14LOW-80 | 66 | 19 | 18521 |
| 14LOW-85 | 69 | 19 | 18521 |
| 14LOW-90 | 72 | 20 | 18521 |
| 14LOW-95 | 74 | 19 | 18521 |
| 14LOW-100 | 77 | 19 | 18521 |
| 14LOW-105 | 80 | 19 | 18521 |
| 14LOW-110 | 83 | 19 | 18521 |
| 14LOW-115 | 87 | 20 | 18521 |
| 14LOW-117 | 87 | 19 | 18521 |

HEAD OFFICE

24 Foundry Rd,
Seven Hills NSW 2147 Australia
I P +61 2 8825 6900
I F +61 2 8825 6999
I E sales@pacifichoists.com.au

WESTERN AUSTRALIA

Unit 1, 31 Colin Jamieson Drive,
Welshpool WA 6106
I P +61 8 6253 1000
I F +61 8 9458 9840
I E sales@pacifichoists.com.au

QUEENSLAND

5/54 Nealdon Drive,
Meadowbrook QLD 4131
I P +61 7 3170 3800
I F +61 7 3170 3811
I E sales@pacifichoists.com.au

NEW ZEALAND

11 Druces Rd,
Manukau City 2104 Auckland
I P +64 9 263 5566
I F +64 9 263 5567
I E info@pacifichoists.co.nz

